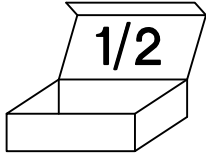
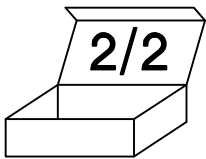


SALSA

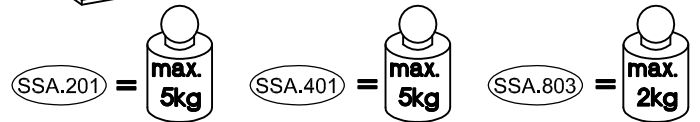
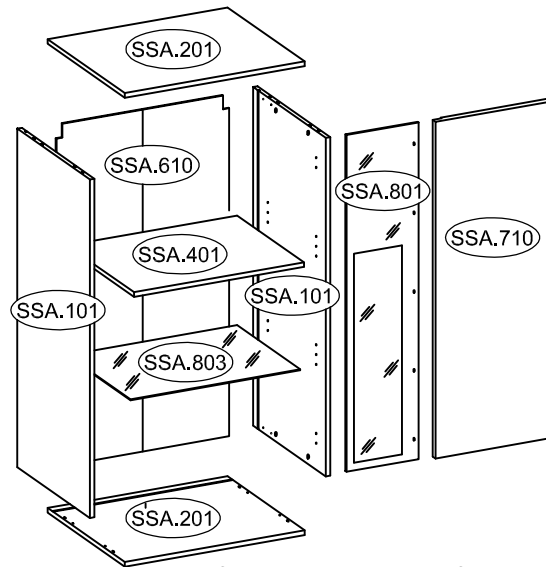
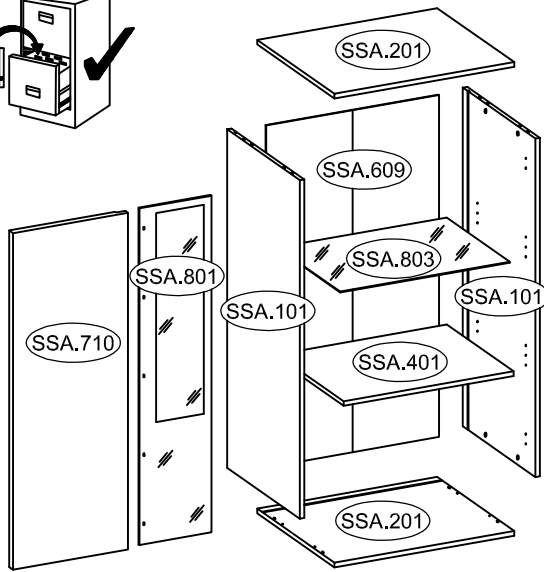
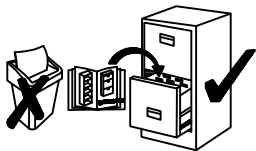
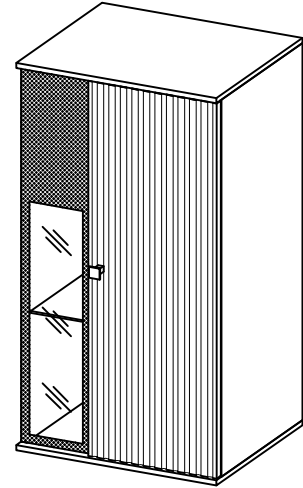
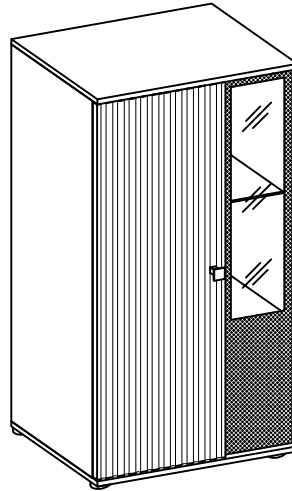
Typ 031



ELEMENT	DIMENSIONS
SSA.101 x4	1100x288x15mm
SSA.201 x4	593x306x15mm
SSA.401 x2	561x265x15mm



ELEMENT	DIMENSIONS
SSA.609 x1	1109x570x2,5mm
SSA.610 x1	1109x570x2,5mm
SSA.710 x2	380x1094x16mm
SSA.801 x2	1094x238x4mm
SSA.803 x2	560x250x5mm



1B :

30x30mm	M4x22mm
S	U
2	2

2B :

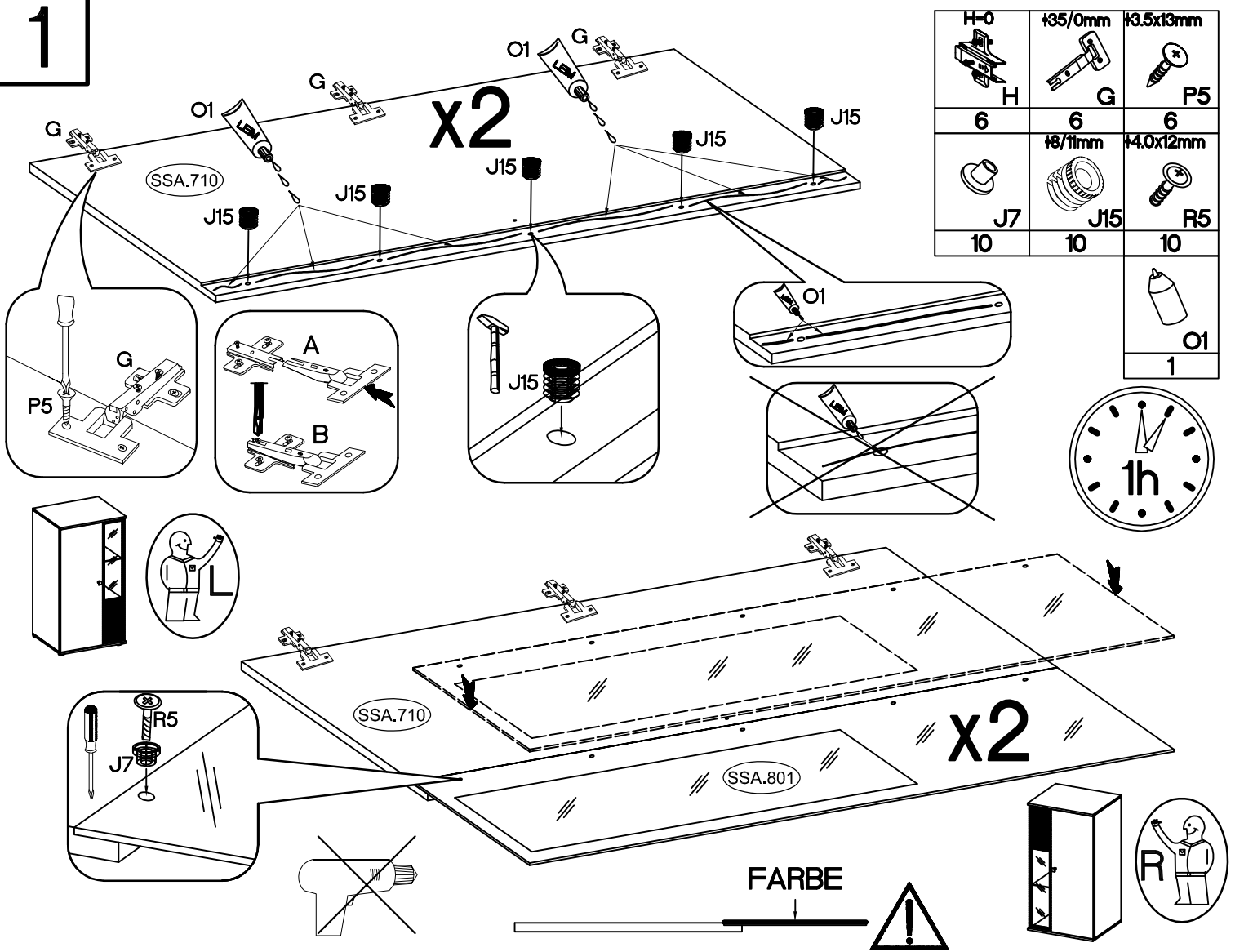
H=0	+35/0mm	+3.5x13mm
H	G	P5
6	6	12

J5
4

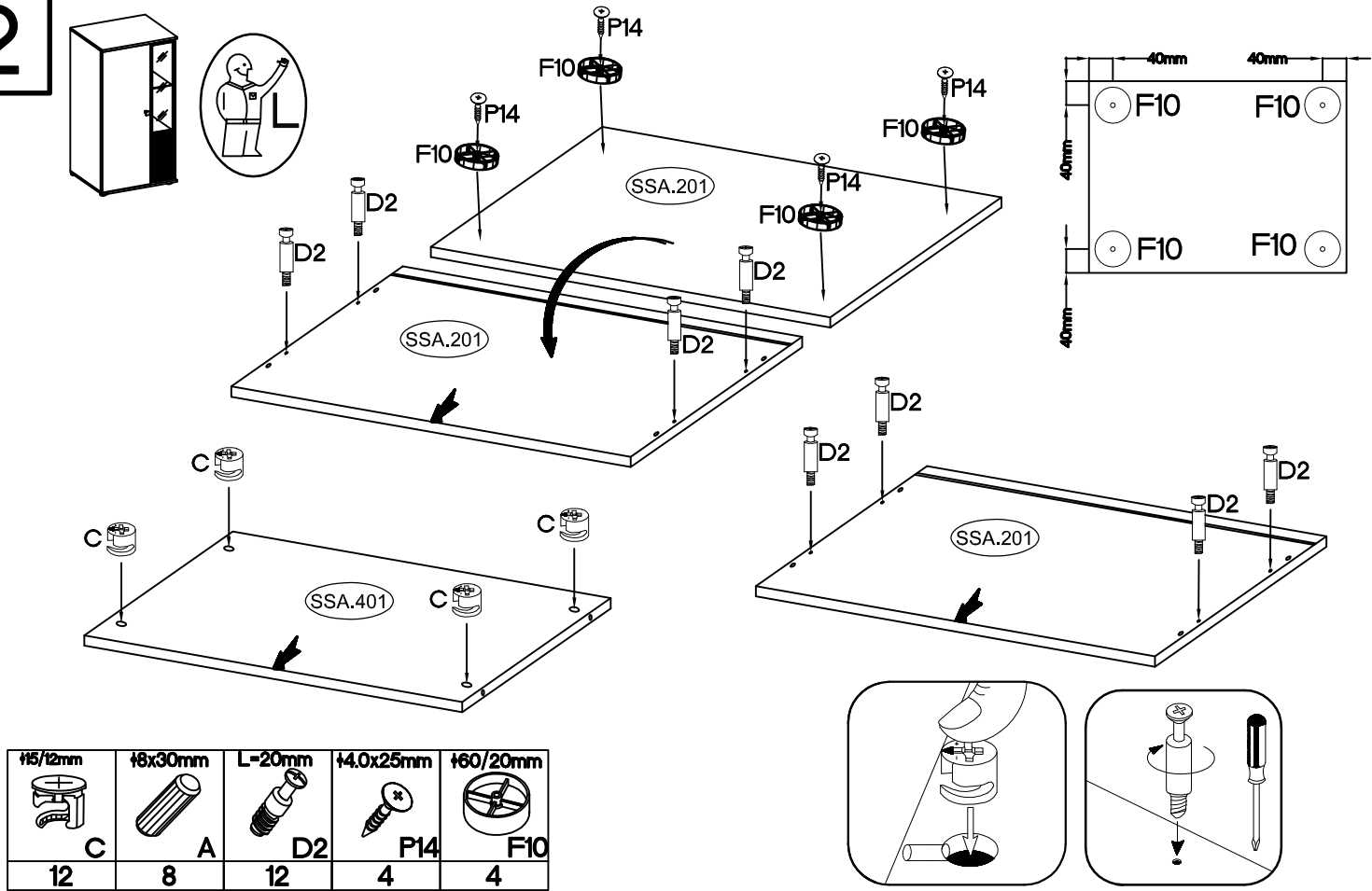
3B :

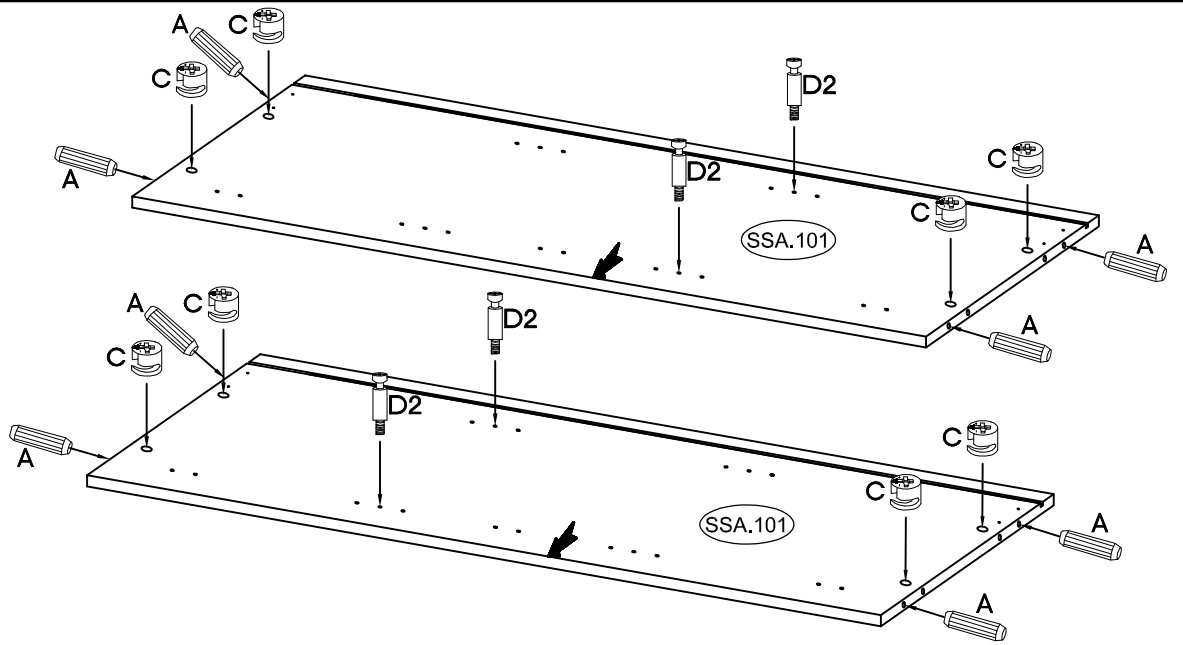
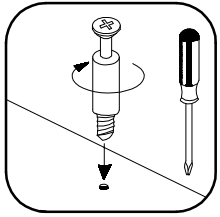
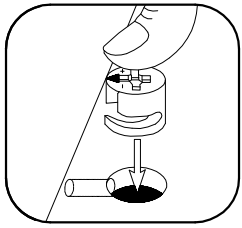
+5/12mm	+8x30mm	L=20mm	+4.0x25mm	+60/20mm		+8/11mm	+4.0x12mm	0,05		
C	A	D2	P14	F10	J7	J15	R5	O11	L	
24	16	24	4	4	10	10	10	1	12	
+3.0x20mm		+5/16mm		+4.0x30mm	+3.5x13mm		+10x50mm	+5.0x60mm		
P7	L2	E	J12	K	P8	P5	L9	O7	P12	K16
8	8	24	8	2	4	1	1	5	4	2

1

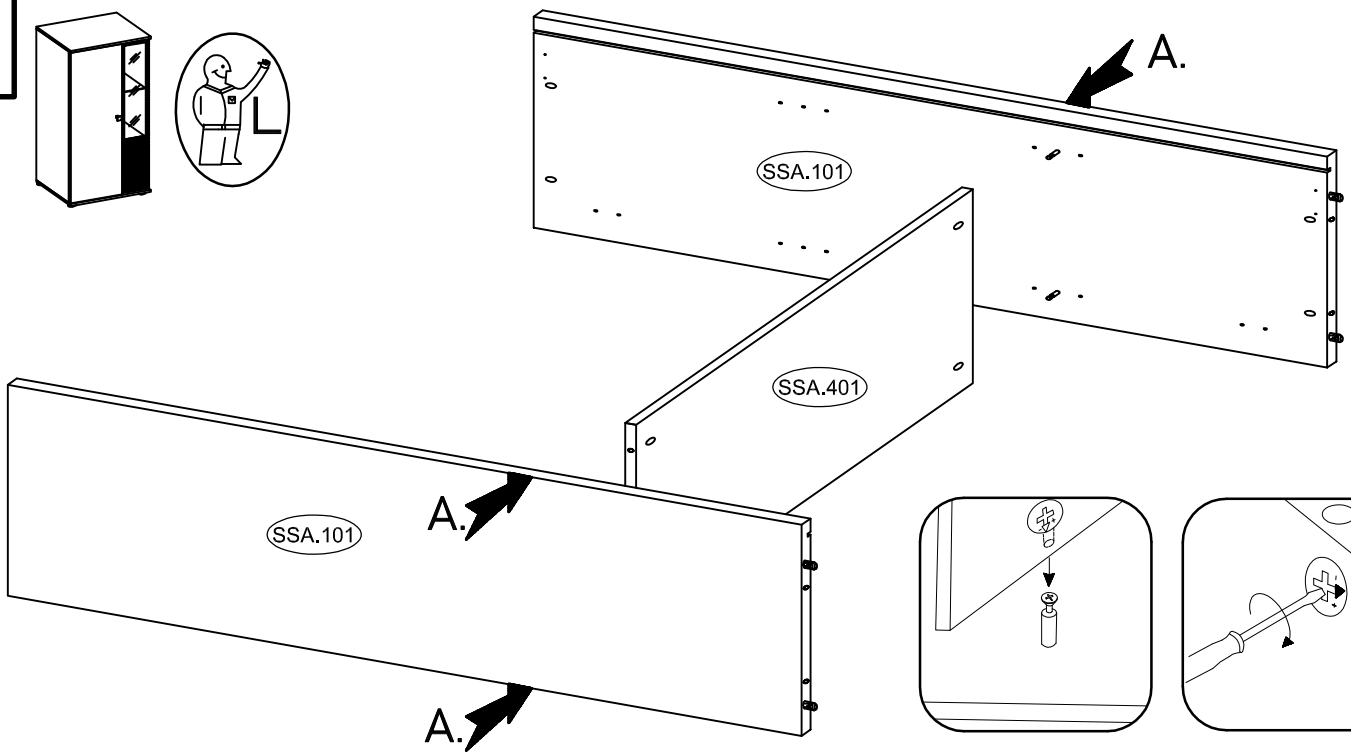
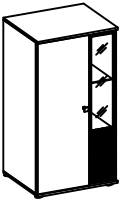


2

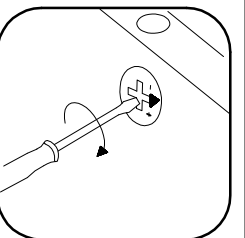
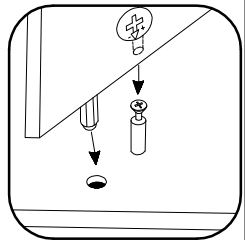
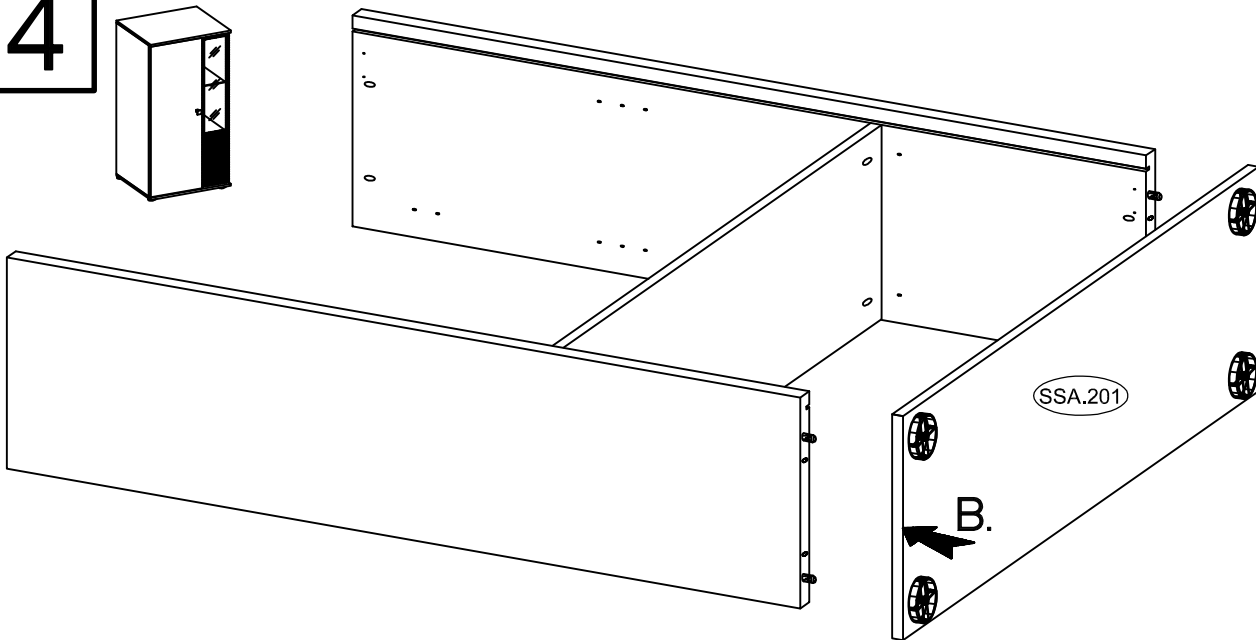
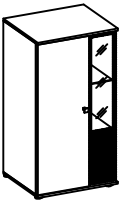




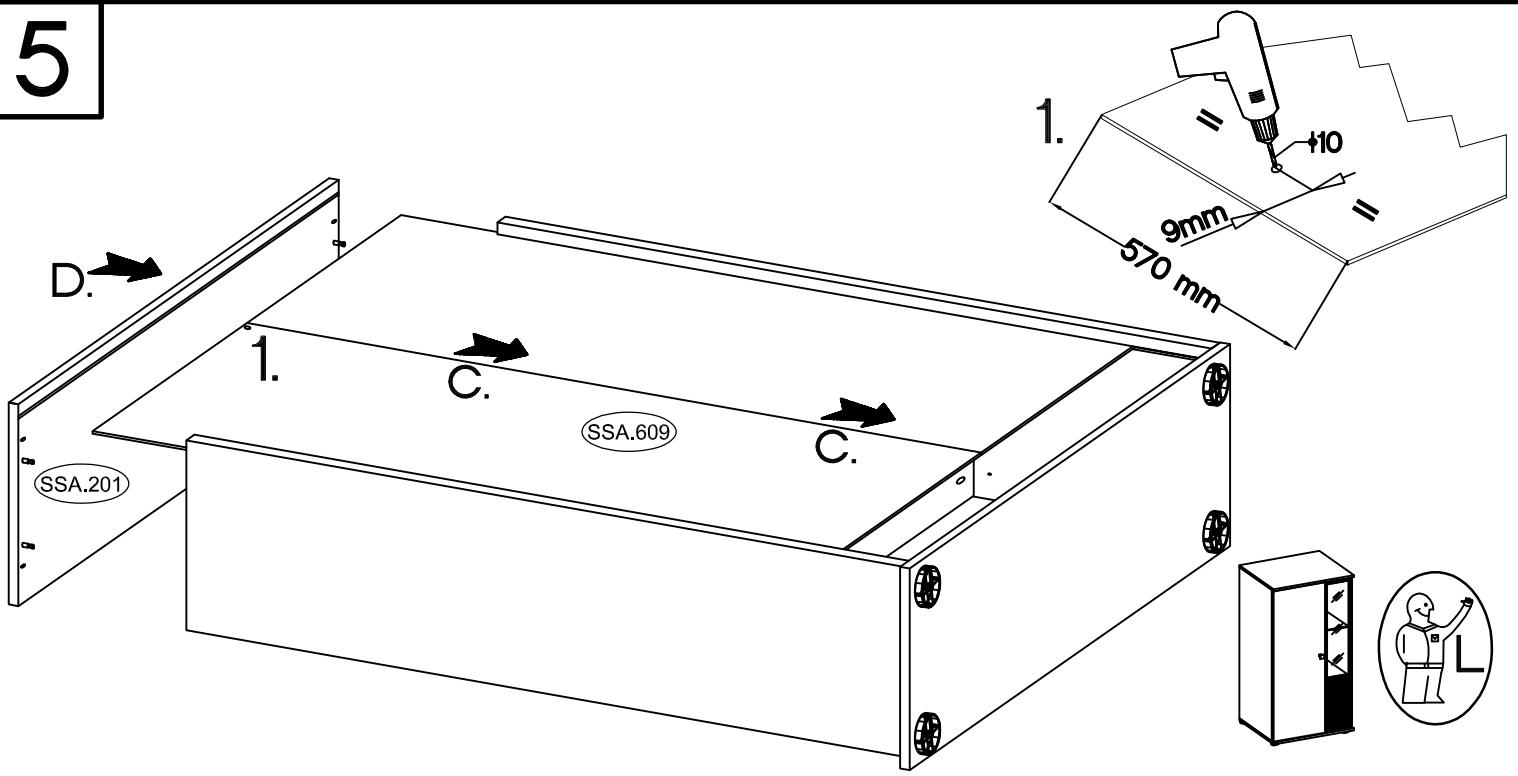
3



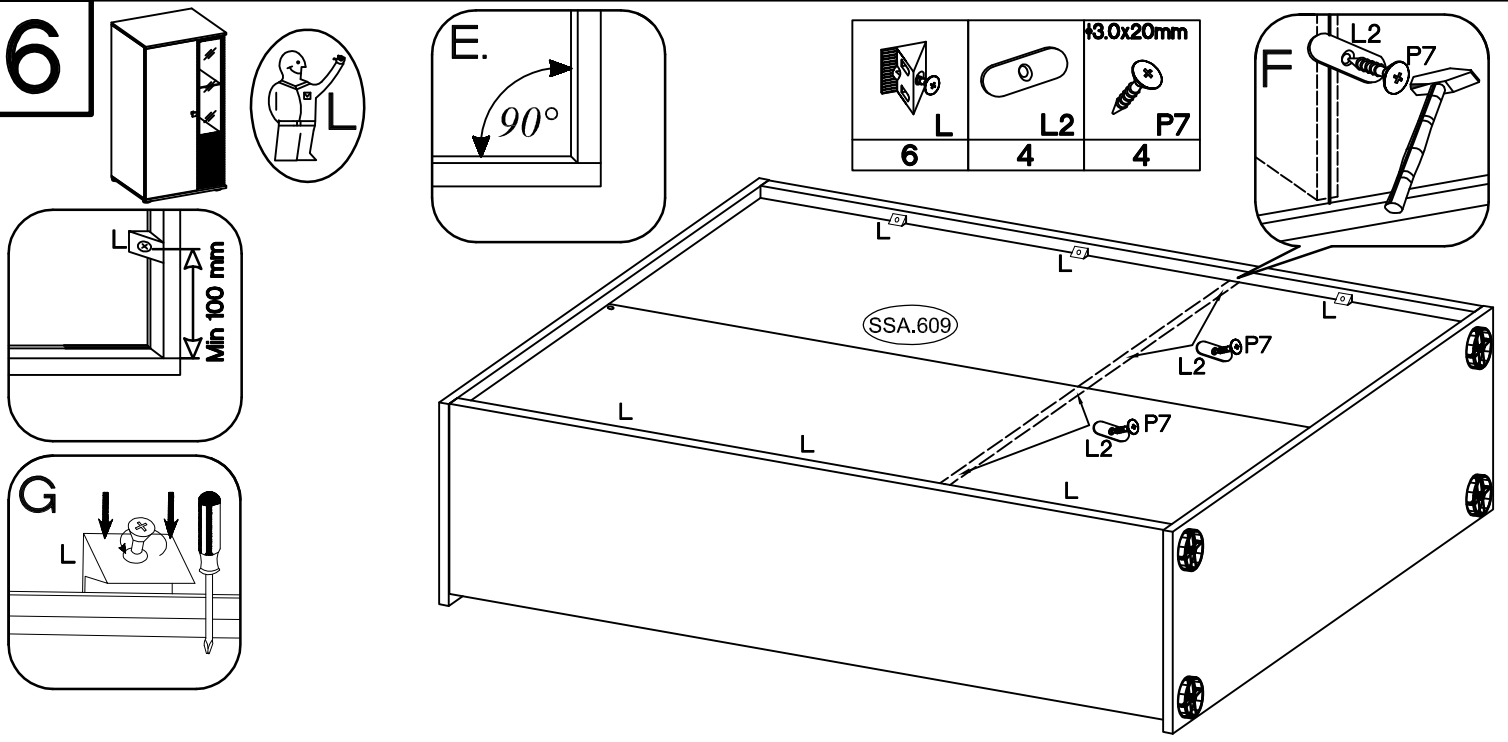
4



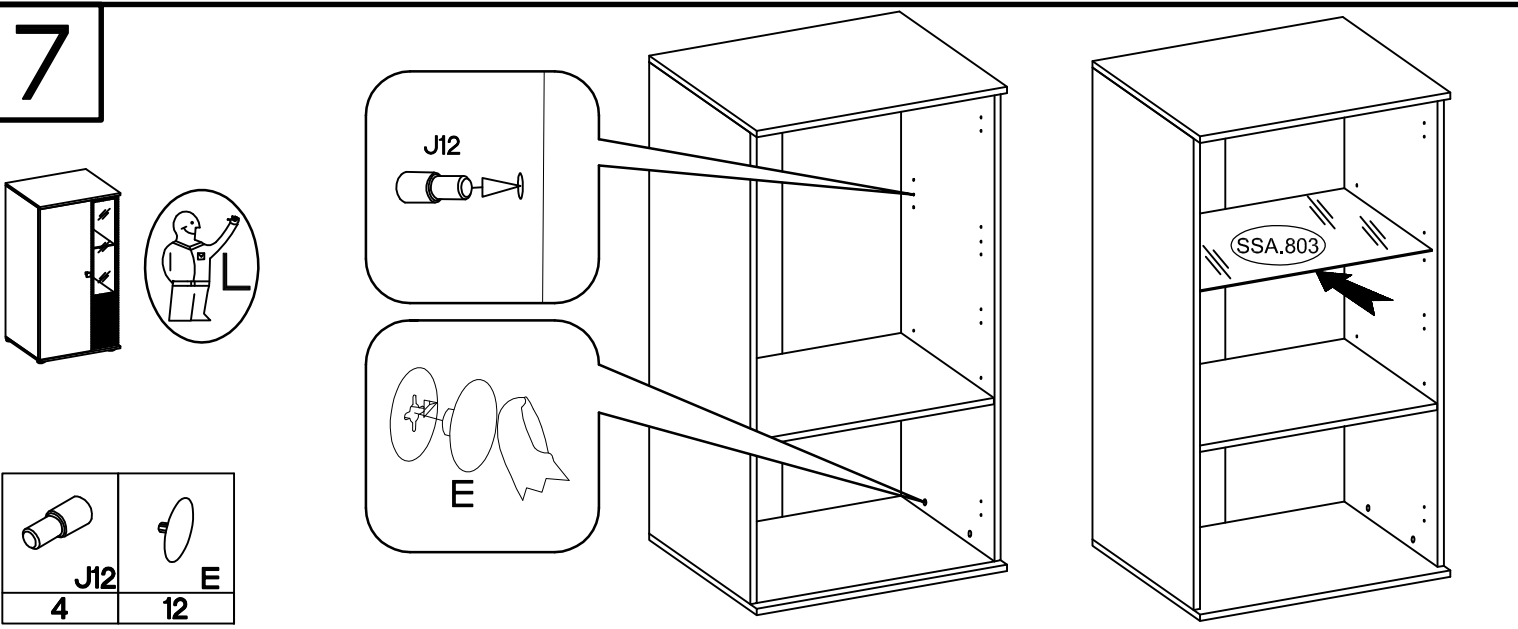
5



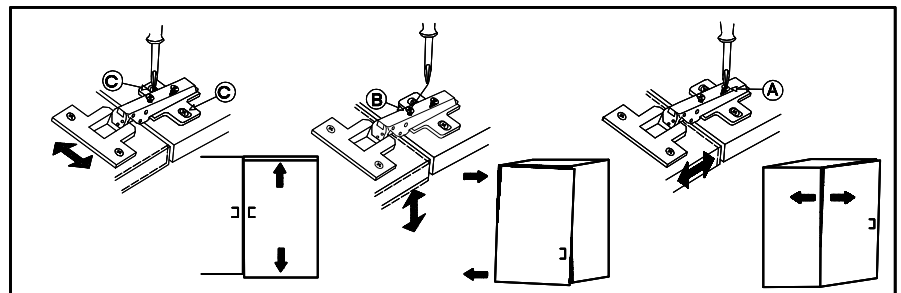
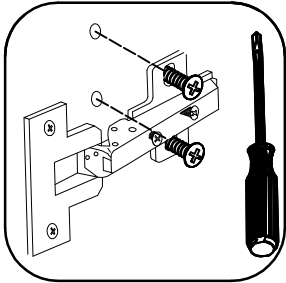
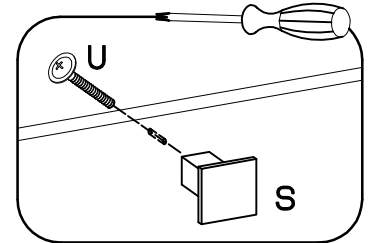
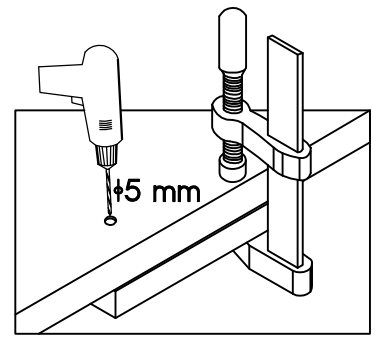
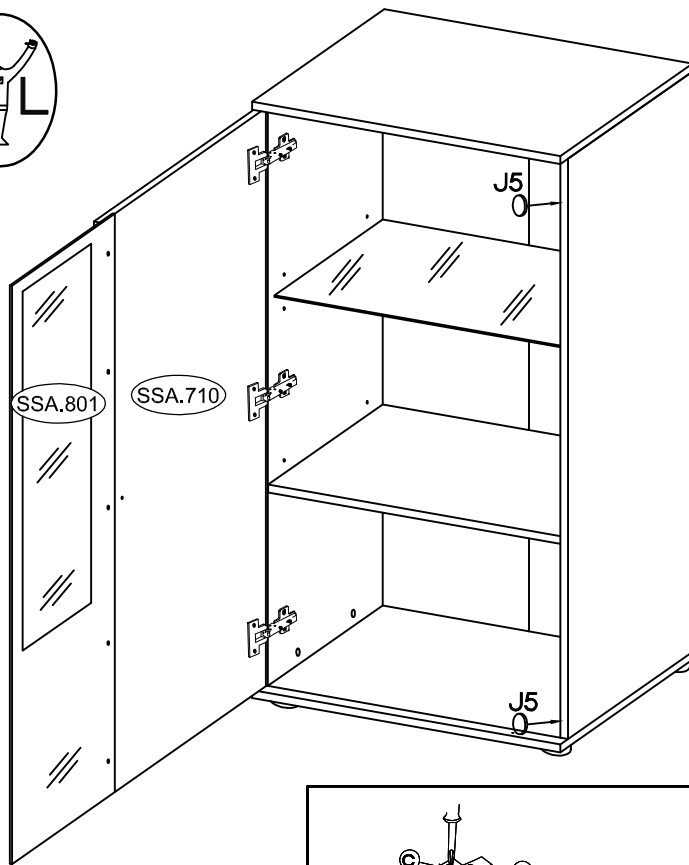
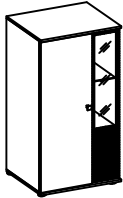
6



7

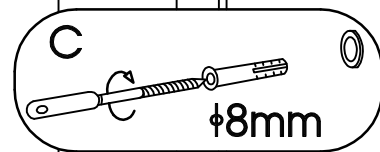
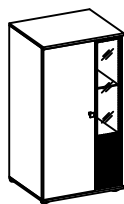
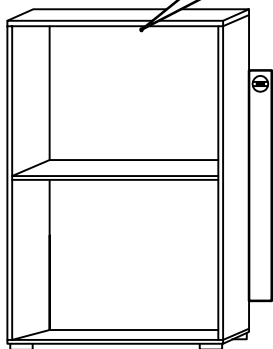
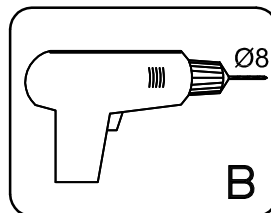
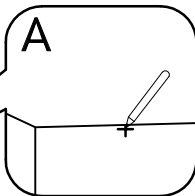


8

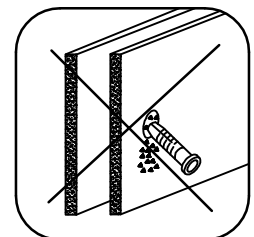
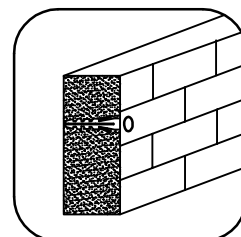
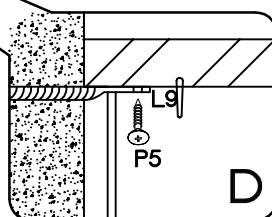
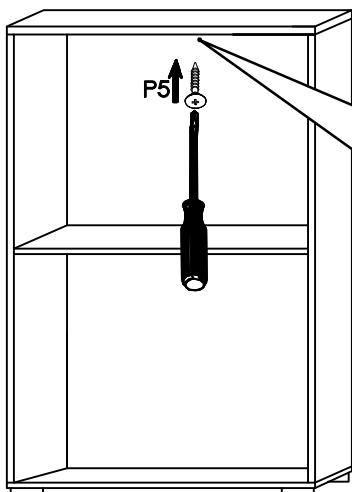


	M4x22mm	30x30mm
J5	U	S
2	1	1

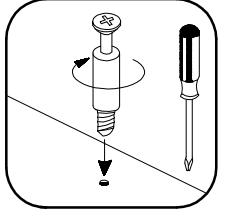
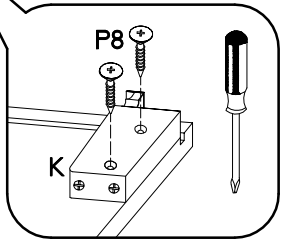
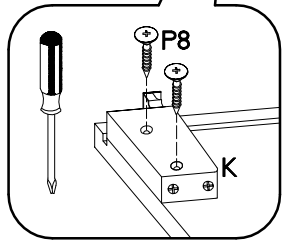
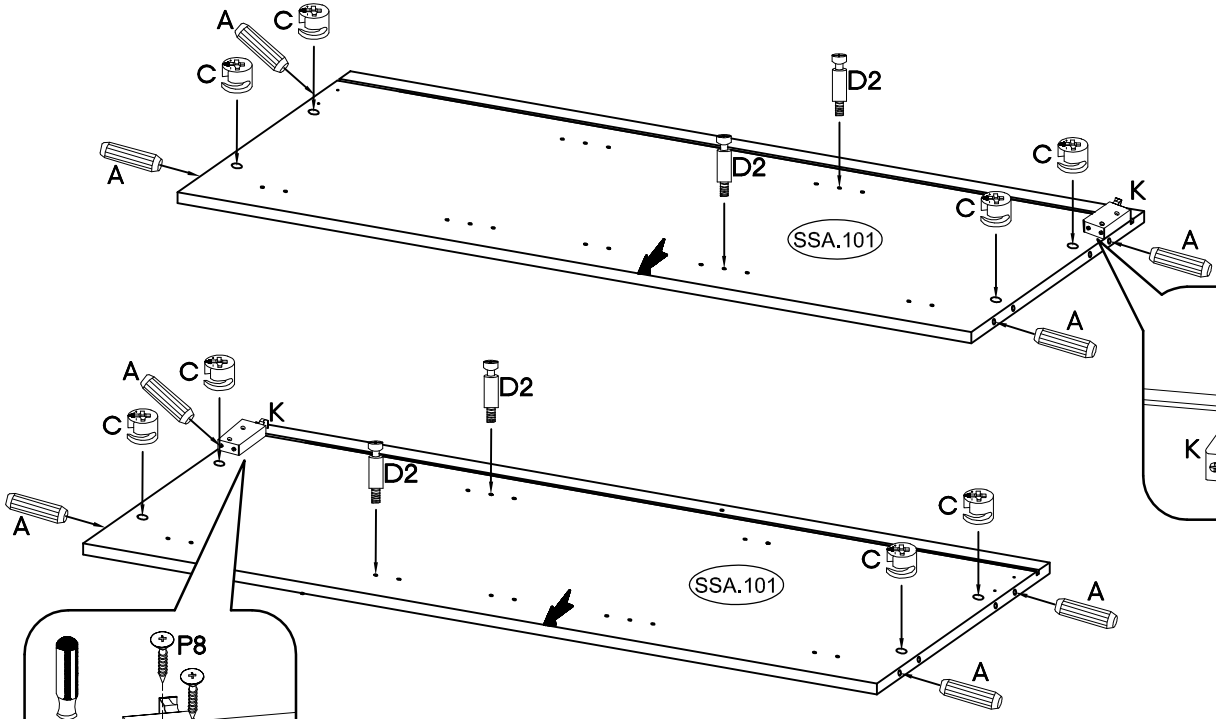
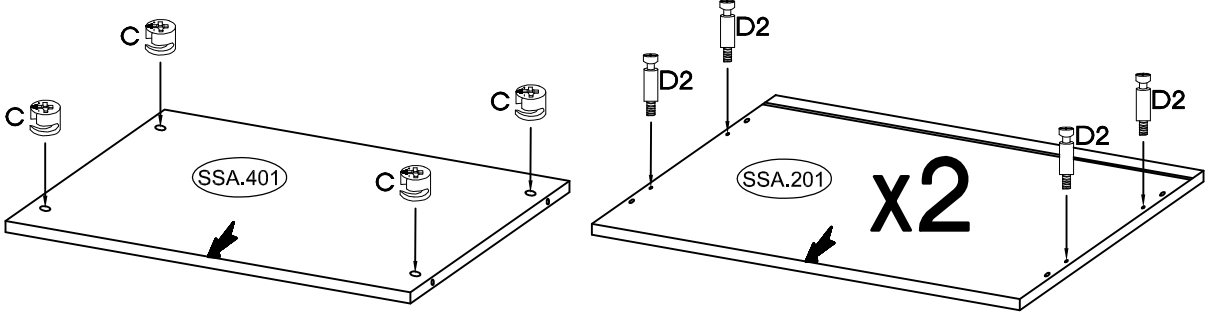
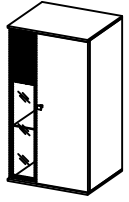
9



	3.5x13mm	10x50mm
L9	P5	O7
1	1	1

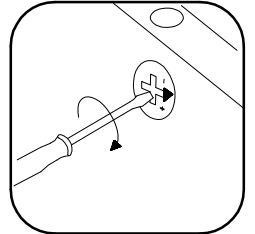
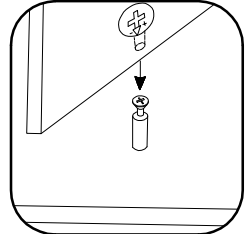
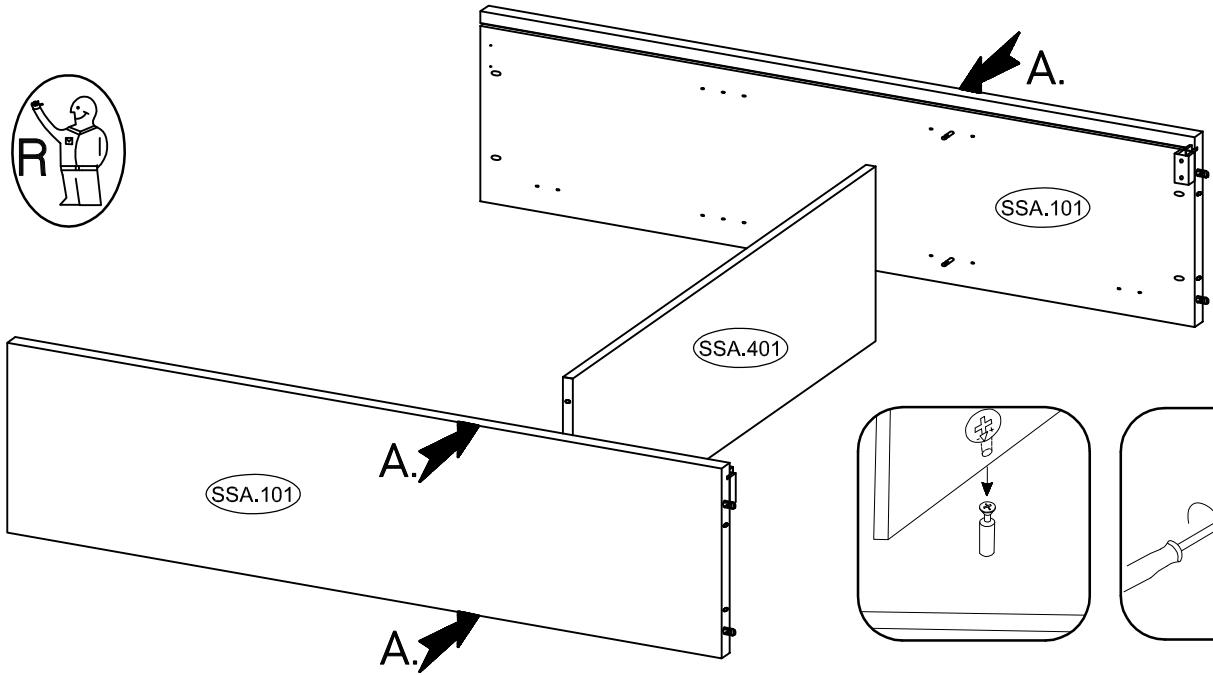
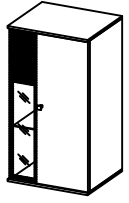


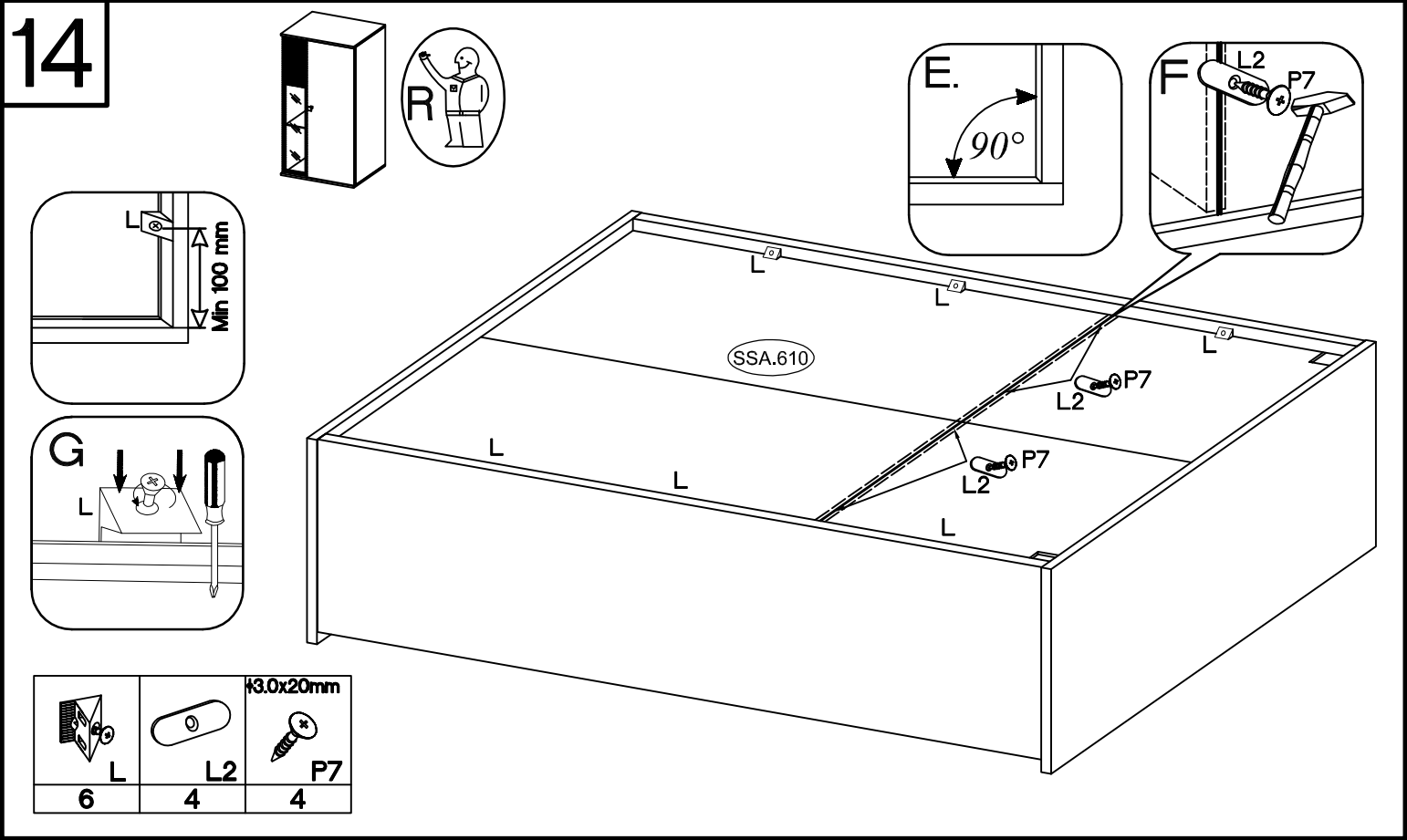
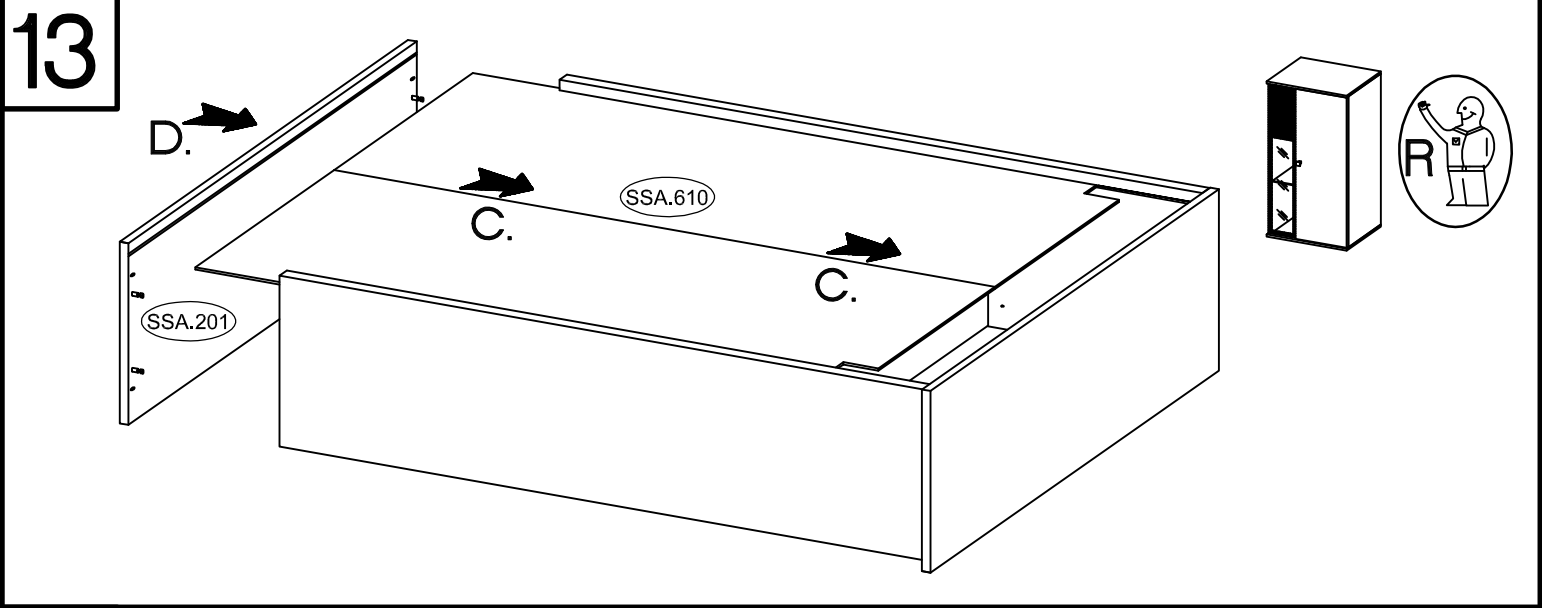
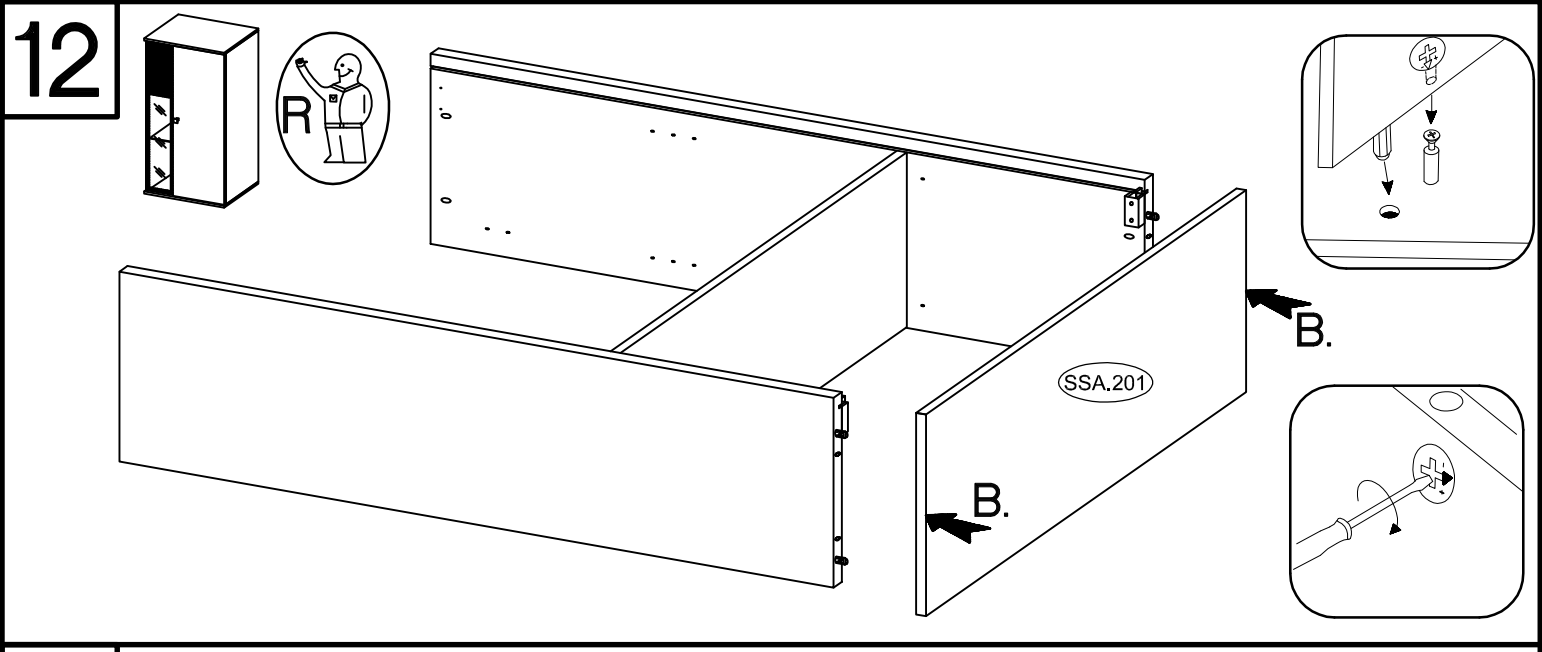
10



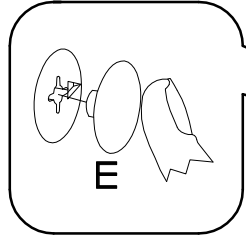
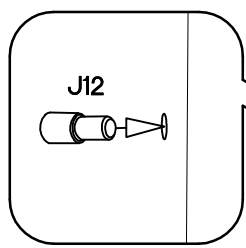
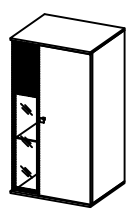
$\varnothing 15/12\text{mm}$	$\varnothing 8 \times 30\text{mm}$	L-20mm		$\varnothing 4.0 \times 30\text{mm}$
C	A	D2	K	P8
12	8	12	2	4



11

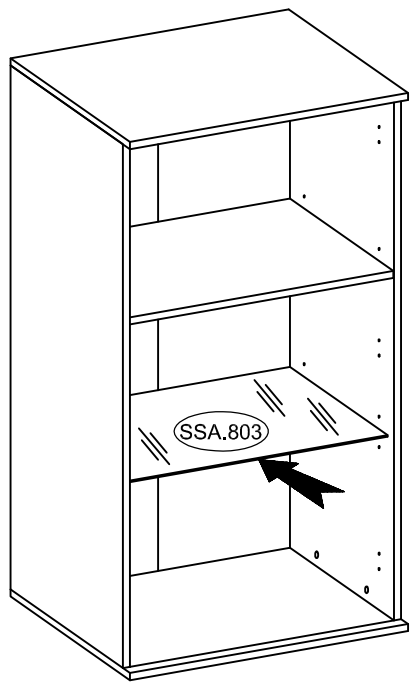
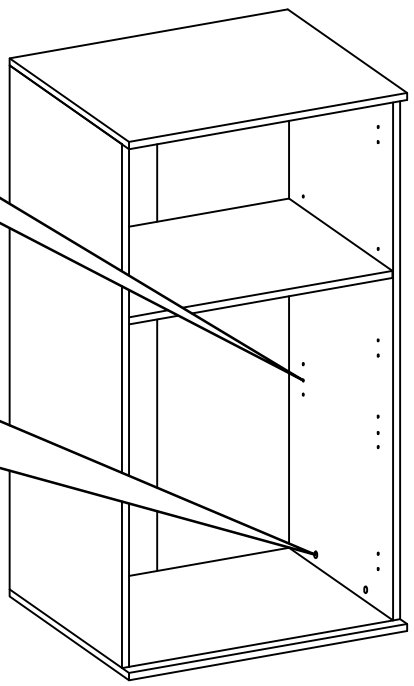




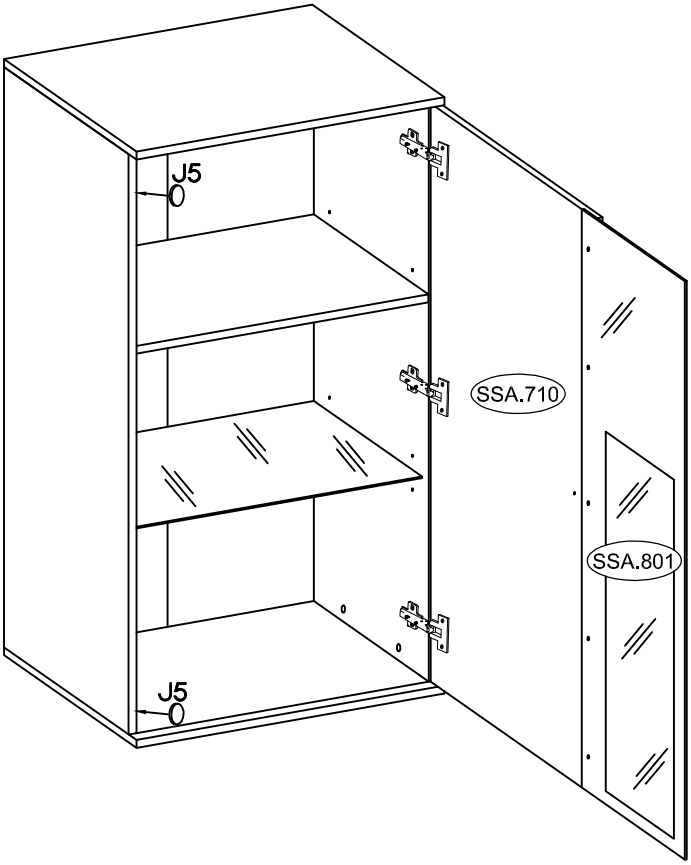
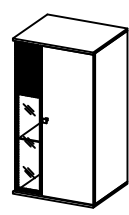
15






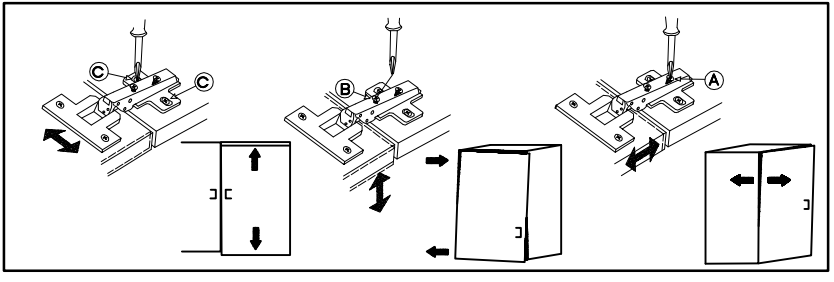
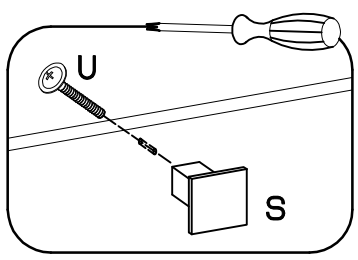
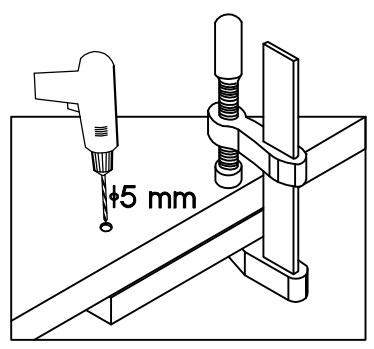
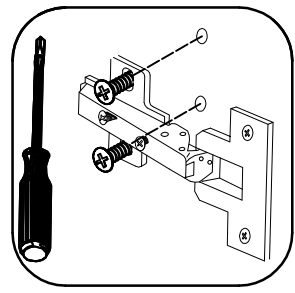
	
J12	E
4	12






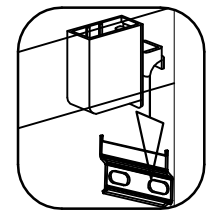
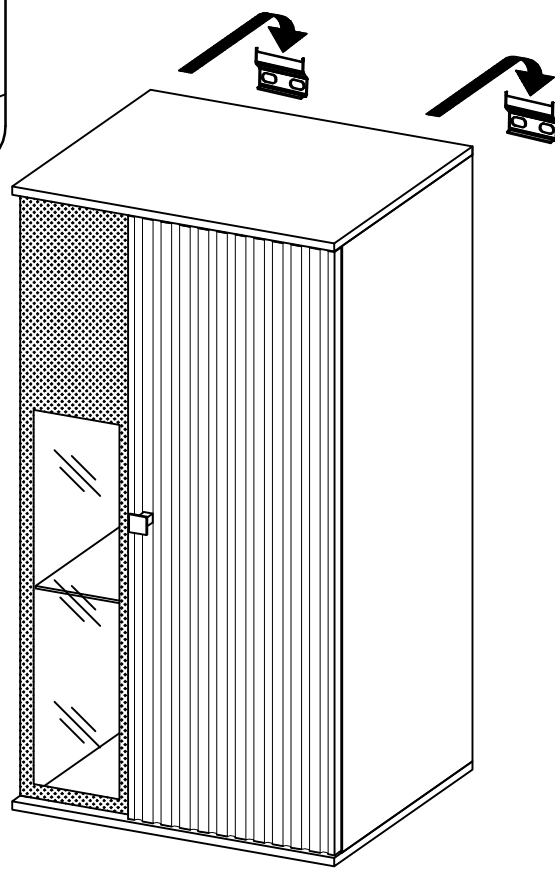
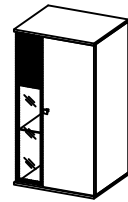
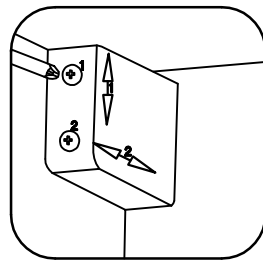
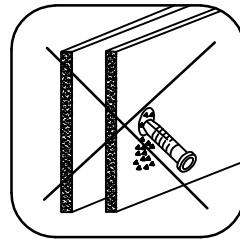
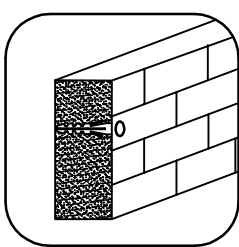
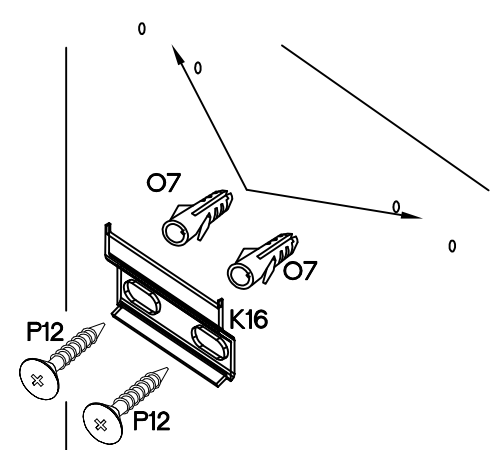
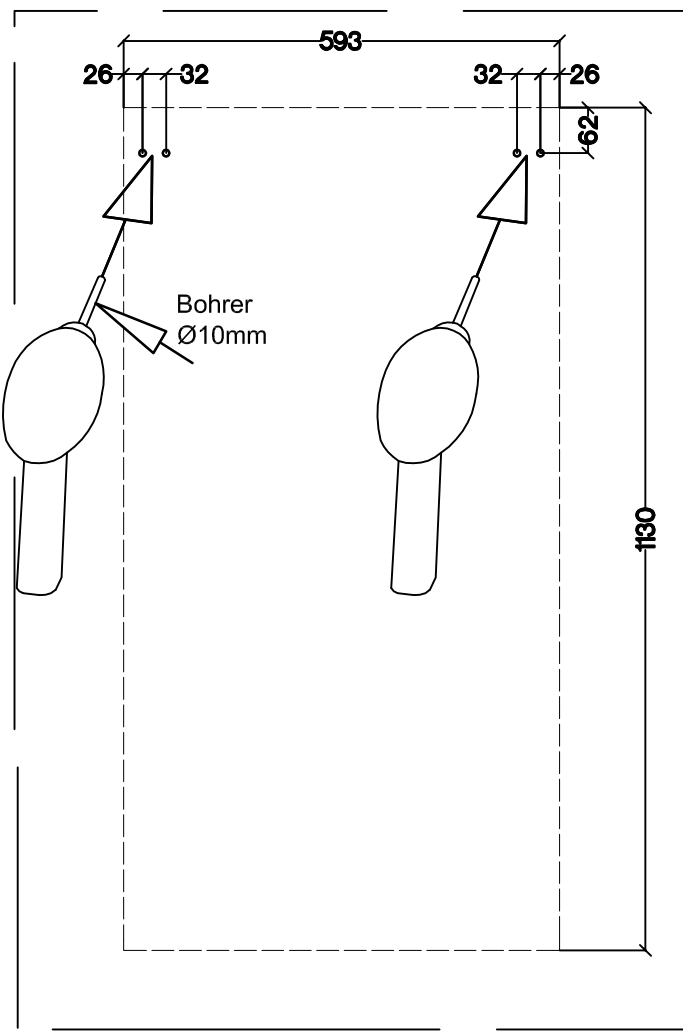
16



		
J5	U	S
2	1	1

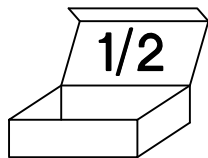
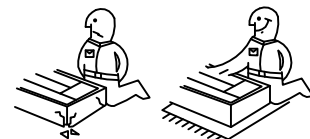
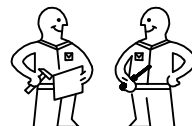
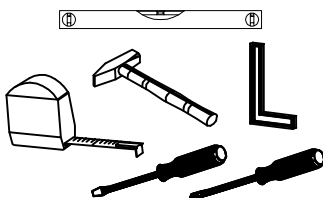


 #5.0x60mm P12 4	 #10x50mm O7 4	 K16 2
--	--	--

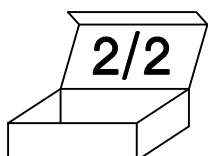


SALSA

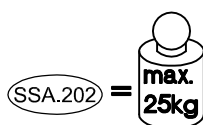
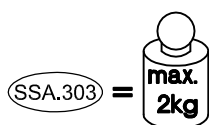
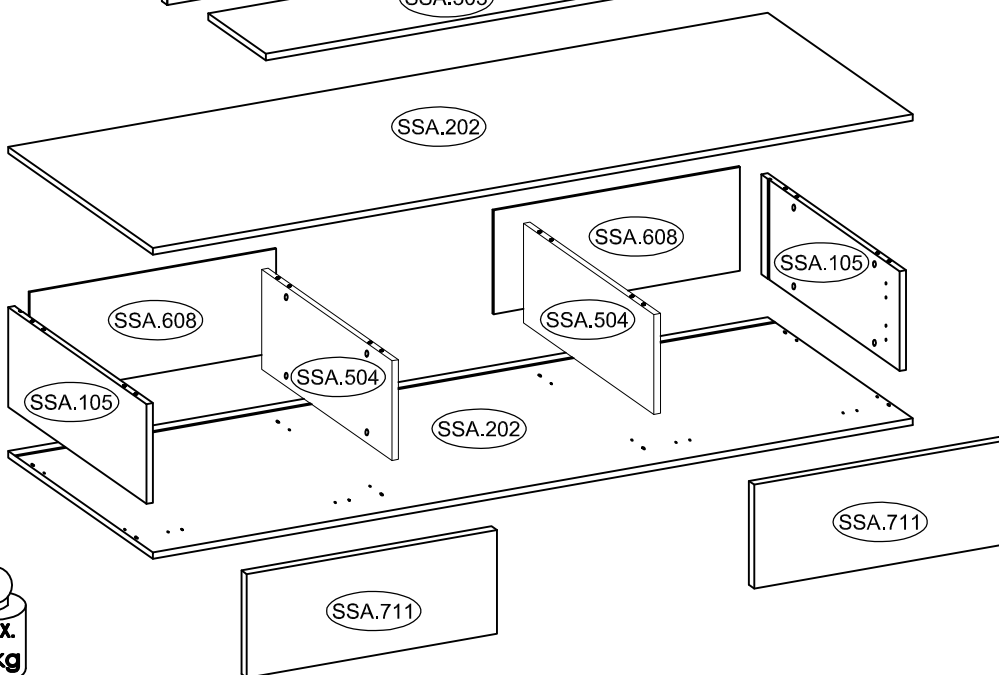
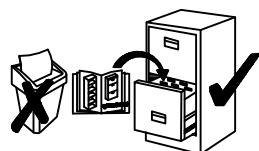
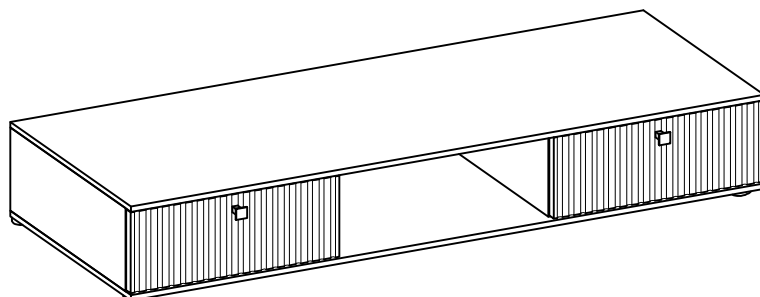
Typ 318



ELEMENT	DIMENSIONS
SSA.105 x2	252x384x15mm
SSA.202 x2	1755x402x15mm
SSA.504 x2	252x362x15mm
SSA.303 x1	1018x155x15mm
SSA.901 x1	1020x160x15mm



ELEMENT	DIMENSIONS
SSA.608 x2	569x261x2,5mm
SSA.711 x2	578x246x16mm



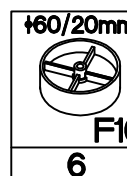
30x30mm	M4x22mm
S	U
2	2



H=0	†35/16mm	†3.5x13mm
H	G2	P5
4	4	8





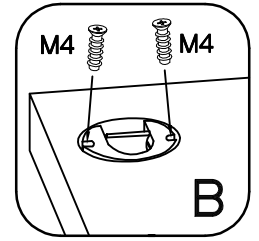
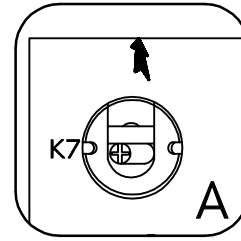
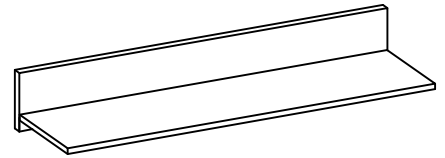
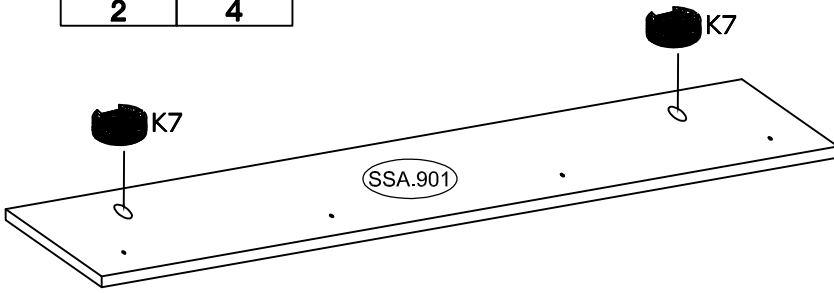
	†6,3x9mm		6,4 x 50mm	5/45mm	†10x50mm	†5/12mm	†8x30mm	L=20mm	†4,0x25mm
K7	M4	O	B	O3	O7	C	A	D2	P14
2	4	1	4	2	2	16	16	16	6





†60/20mm	†3.5x13mm			†3,0x16mm	
F10	P5	L	E	P11	J5
6	6	2	4	16	10

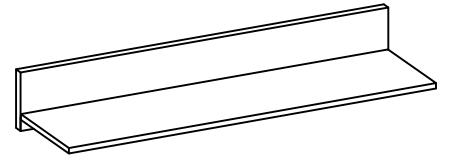
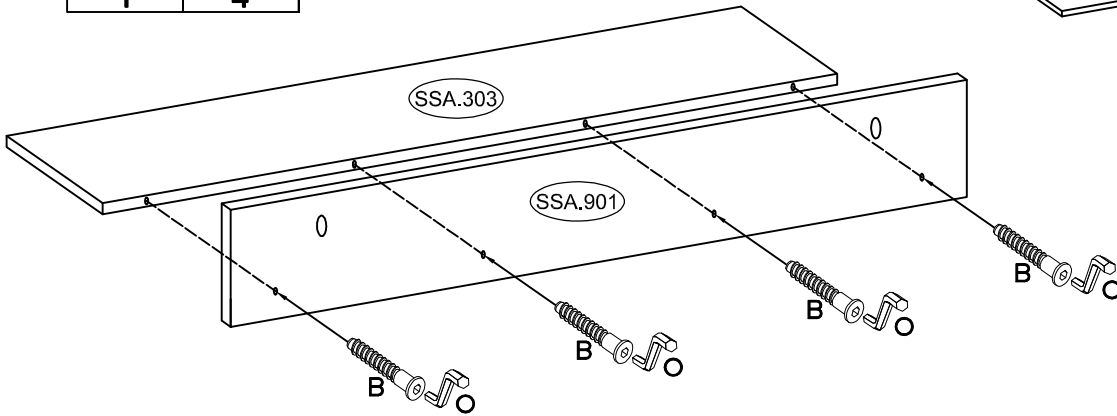
1

	
K7	M4
2	4

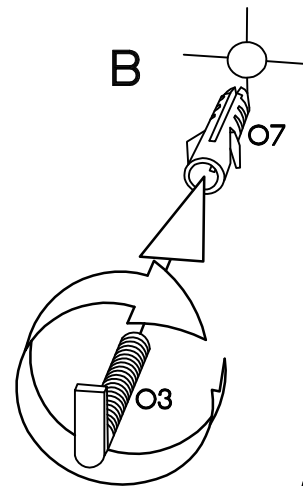
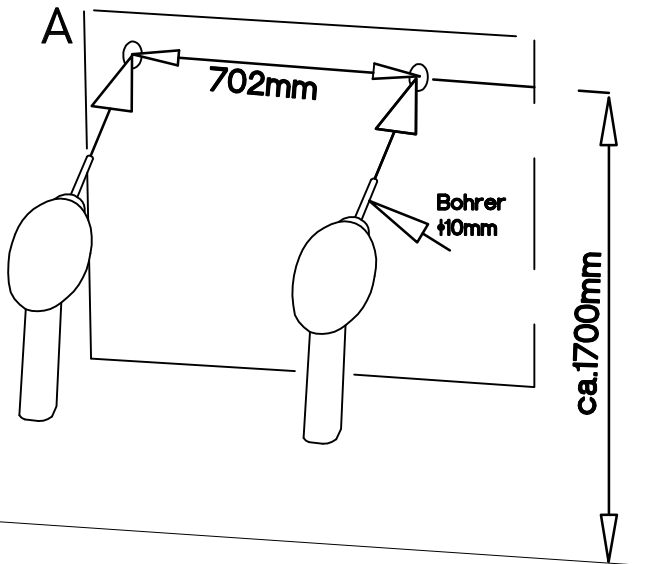




2

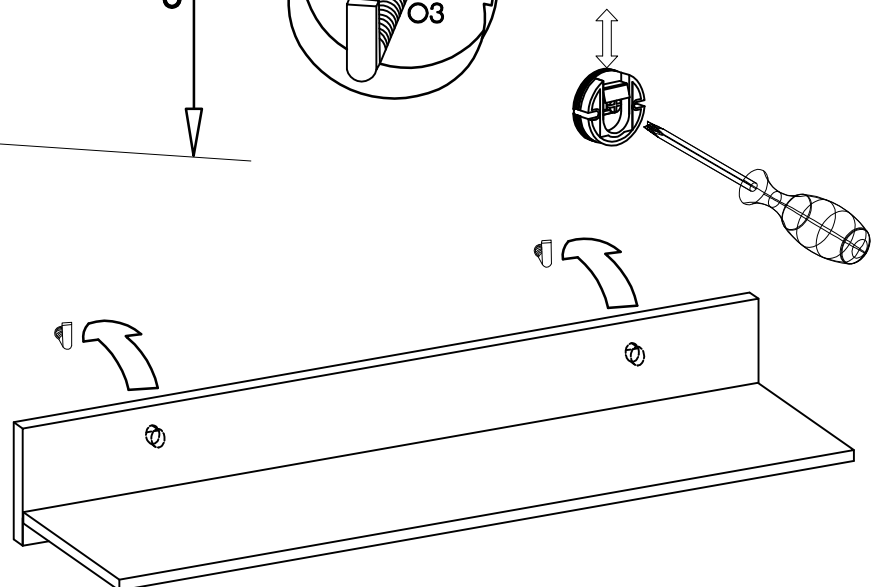
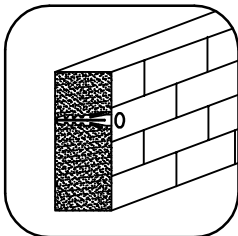
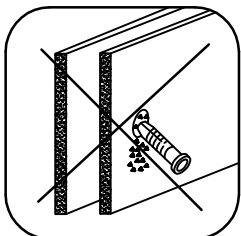
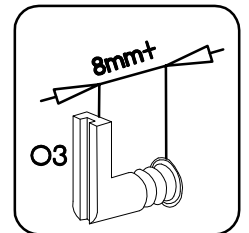
	
O	B
1	4






3





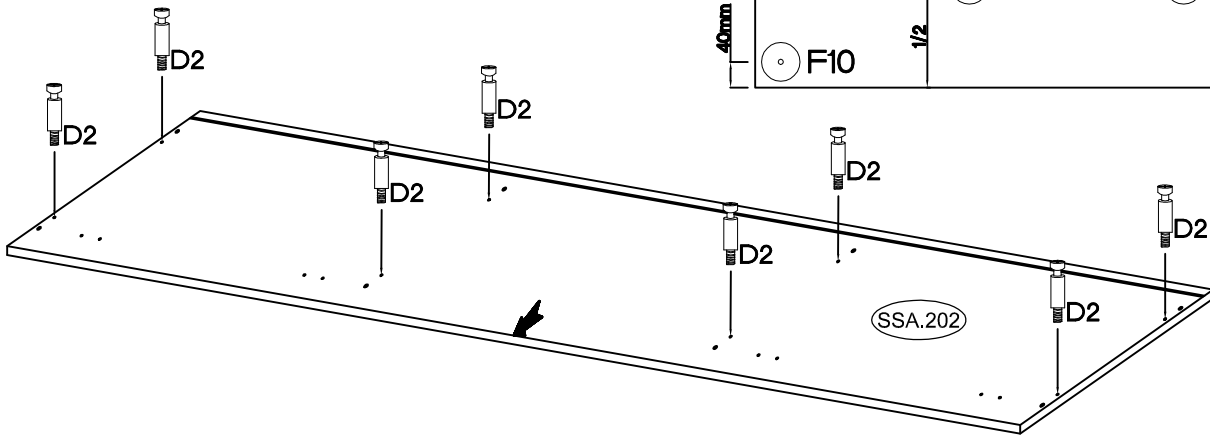
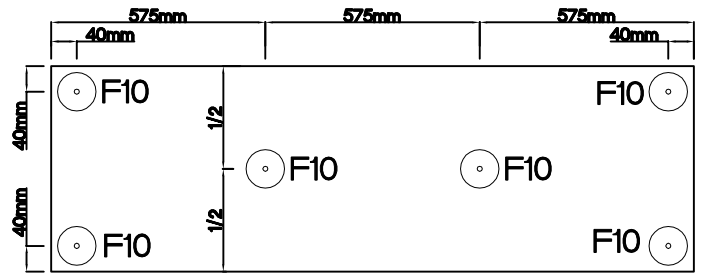
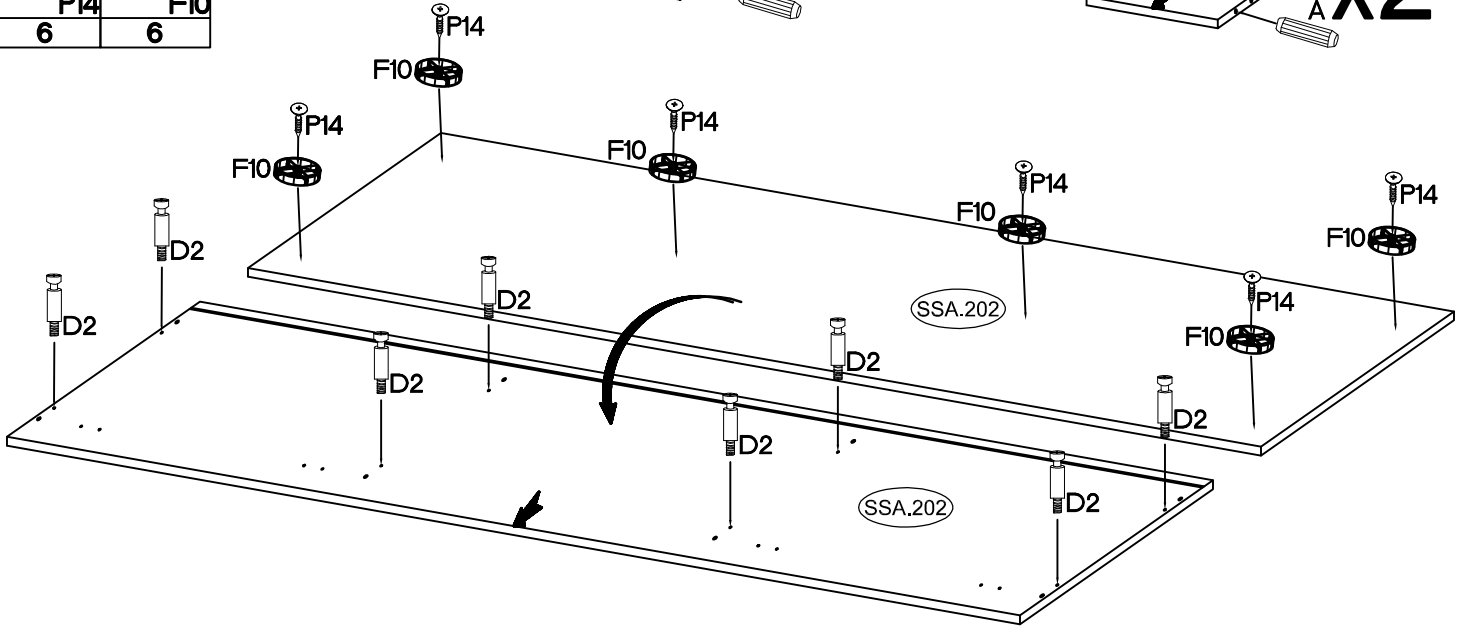
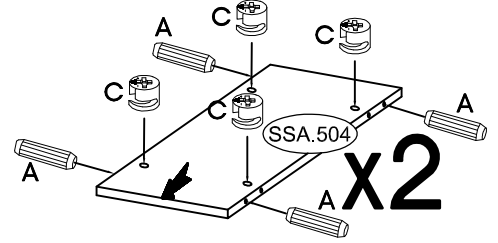
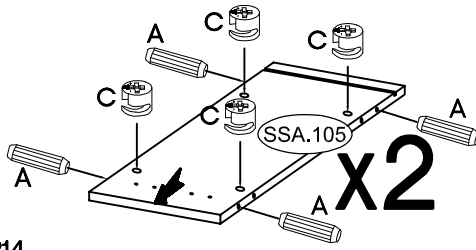
	
O3	O7
2	2



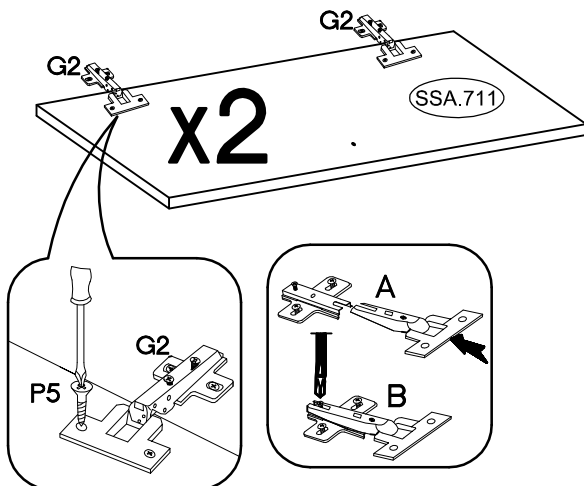
4





 $\varnothing 5/12\text{mm}$	 $\varnothing 8 \times 30\text{mm}$	 L=20mm
C	A	D2

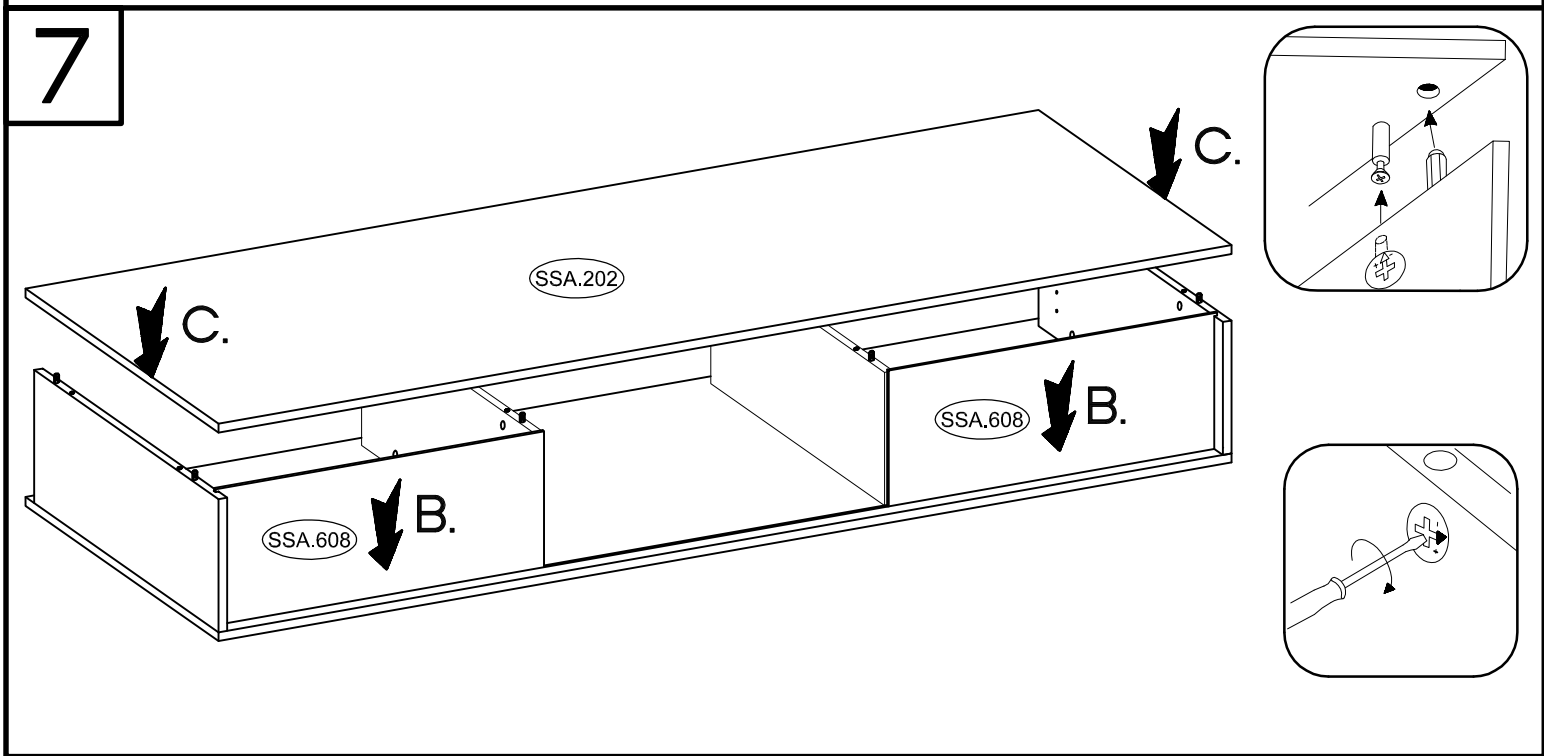
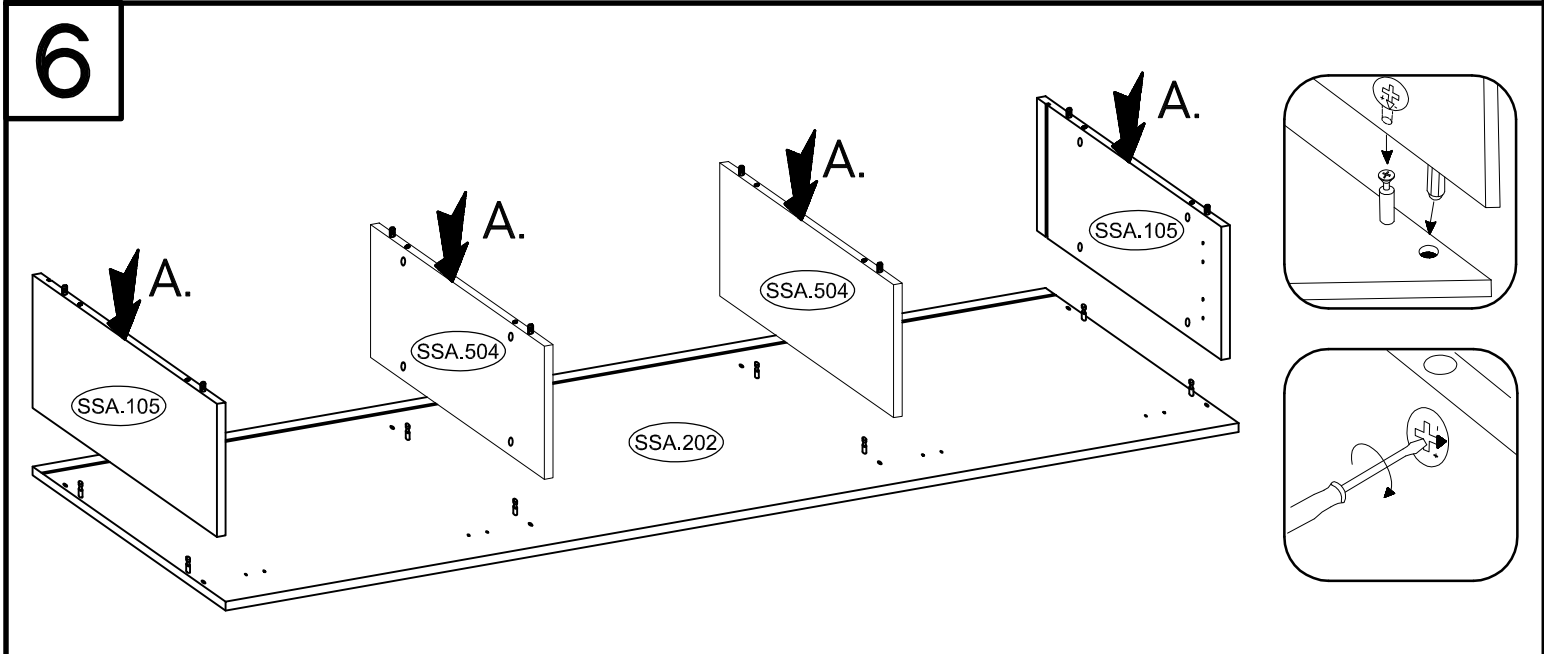
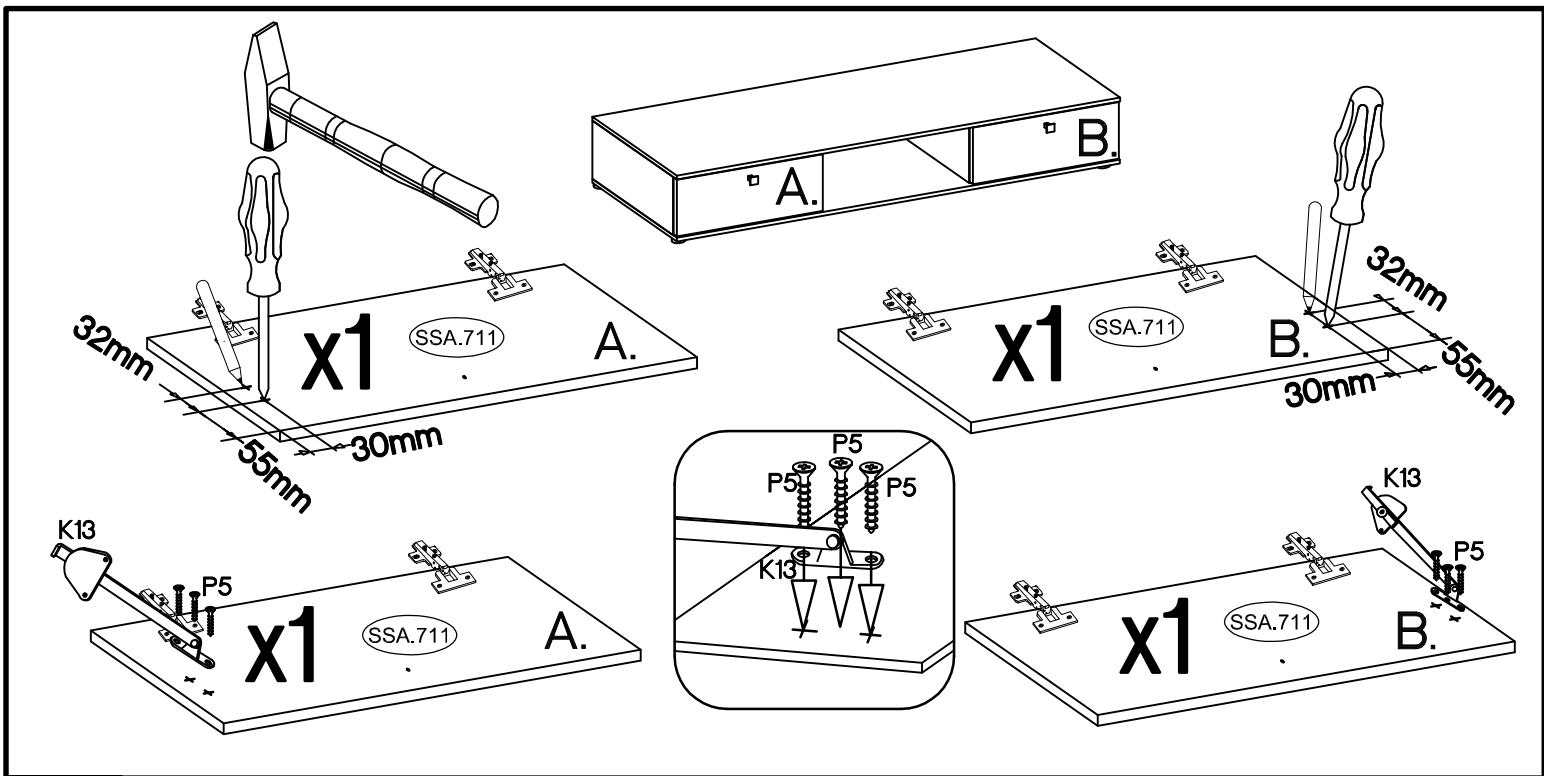
 $\varnothing 4.0 \times 25\text{mm}$	 $\varnothing 60/20\text{mm}$
P14	F10
6	6




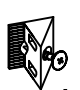
5

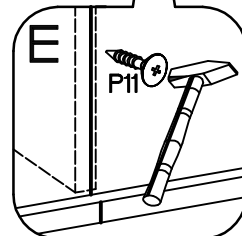
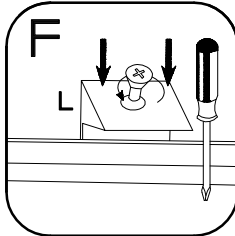
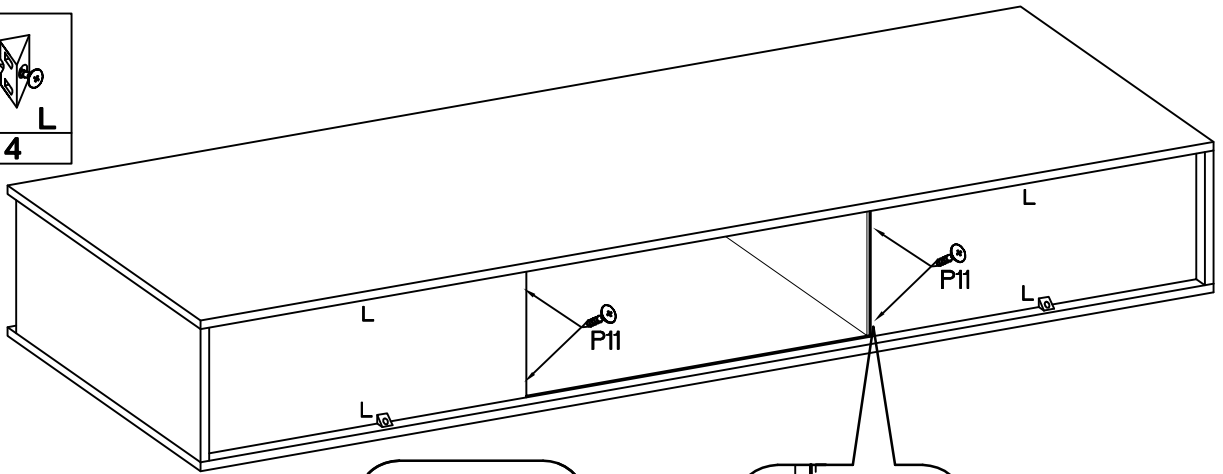
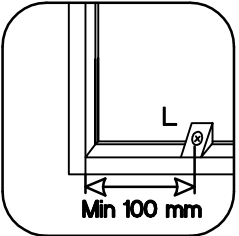
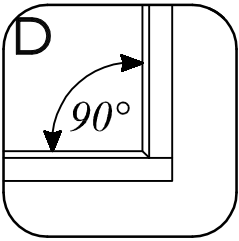


 H-0	 $\varnothing 35/16\text{mm}$	 $\varnothing 3.5 \times 3\text{mm}$	
H	G2	P5	K13
4	4	14	2








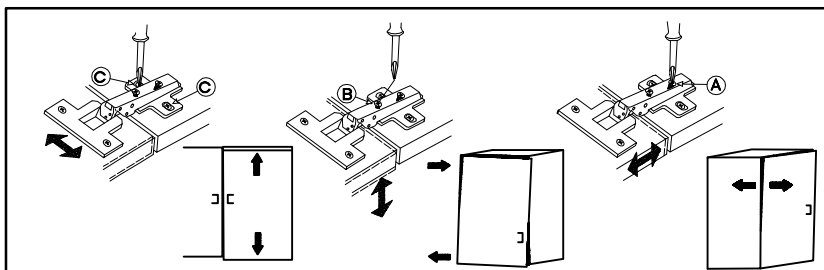
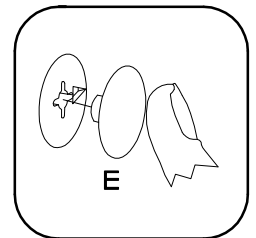
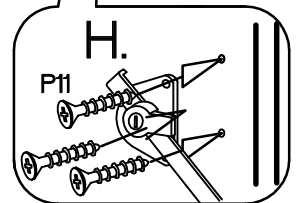
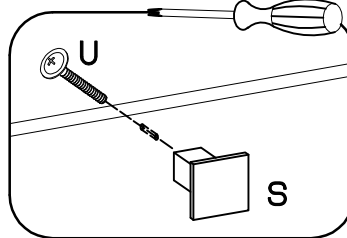
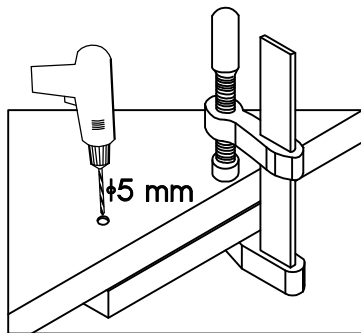
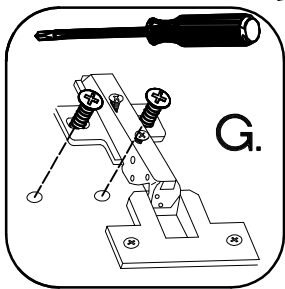
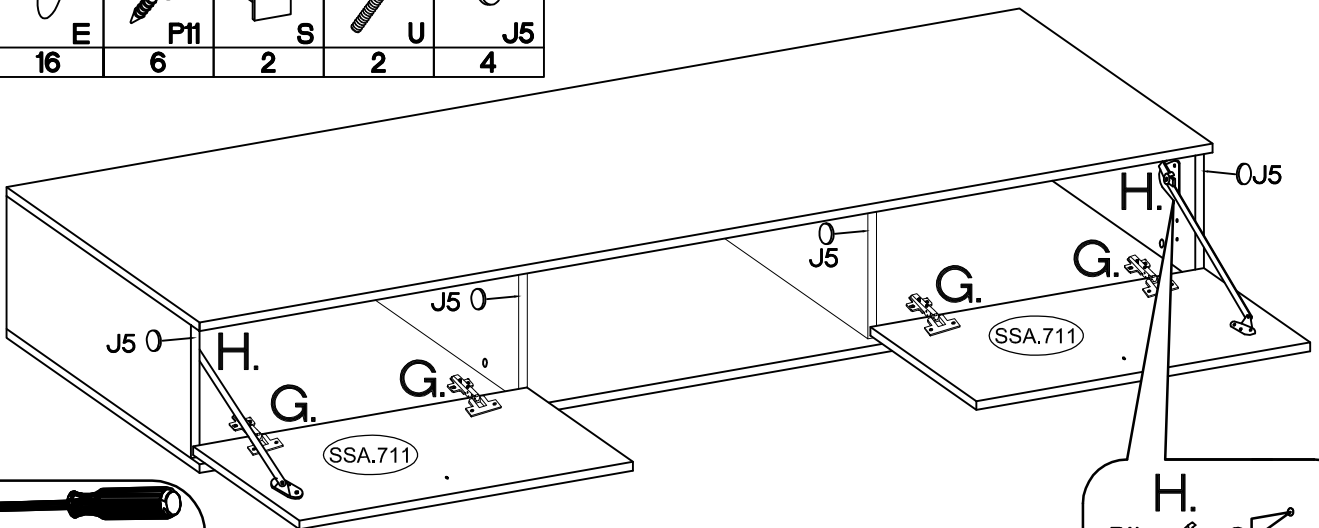
8

 P11 4	 L 4
--	--

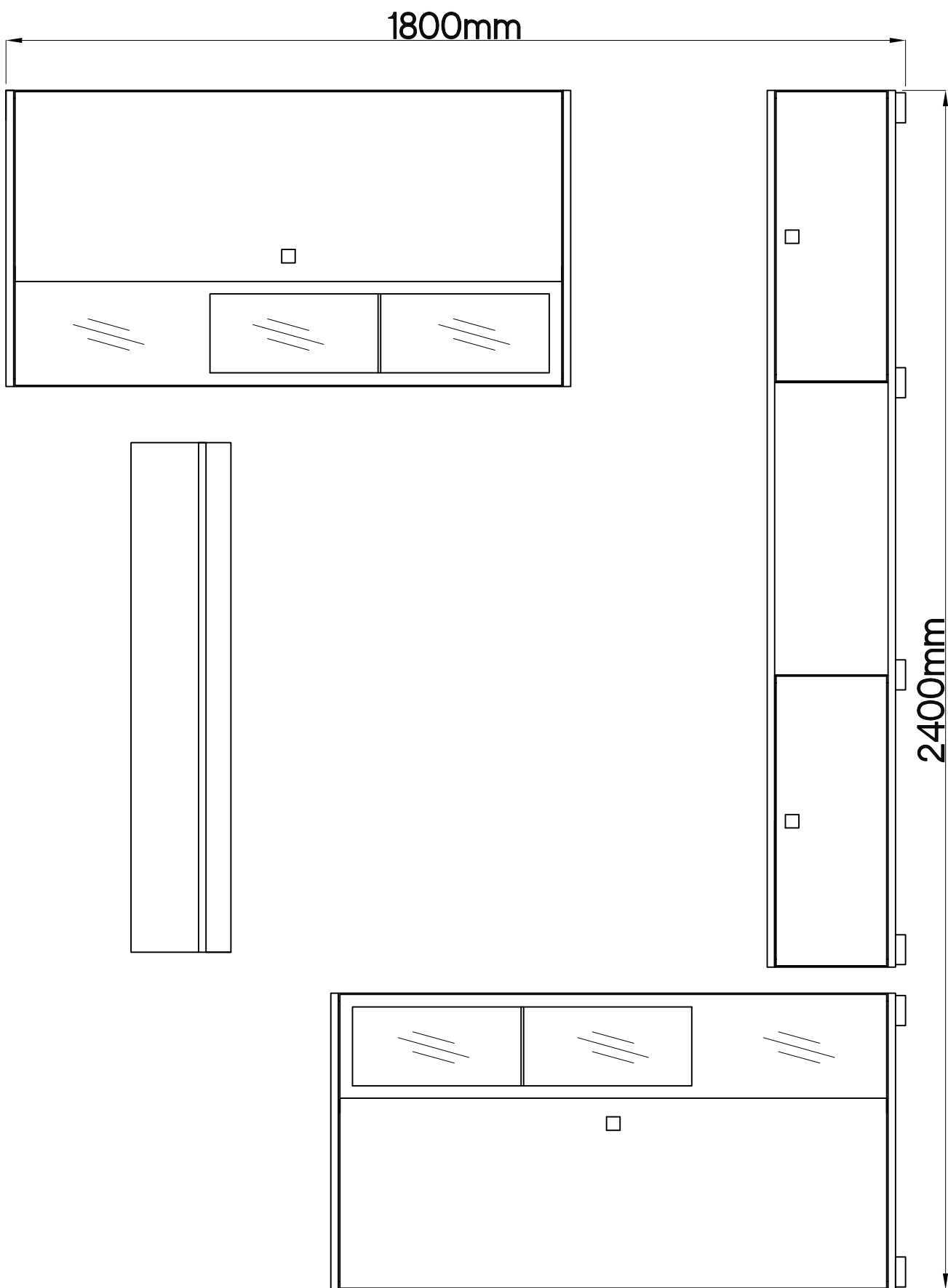


9

 E 16	 P11 6	 S 2	 U 2	 J5 4
--	---	---	---	--




STOLARZ-LEMPERT
 Stolarz – Lempert Sp. k.
 63-604 Baranów, Marianka Mroczeńska 3
www.stolarz-lempert.pl



SCHEMAT USTAWIENIA ZESTAWU