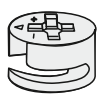


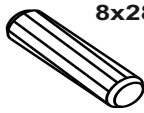


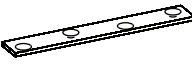




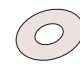
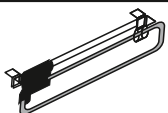





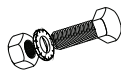
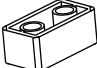
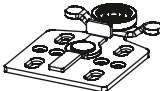
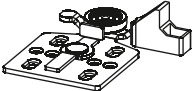
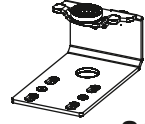
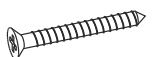
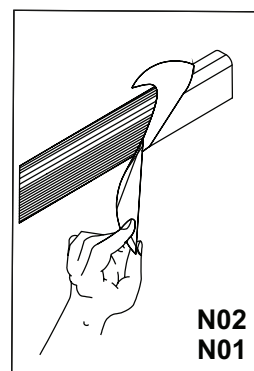
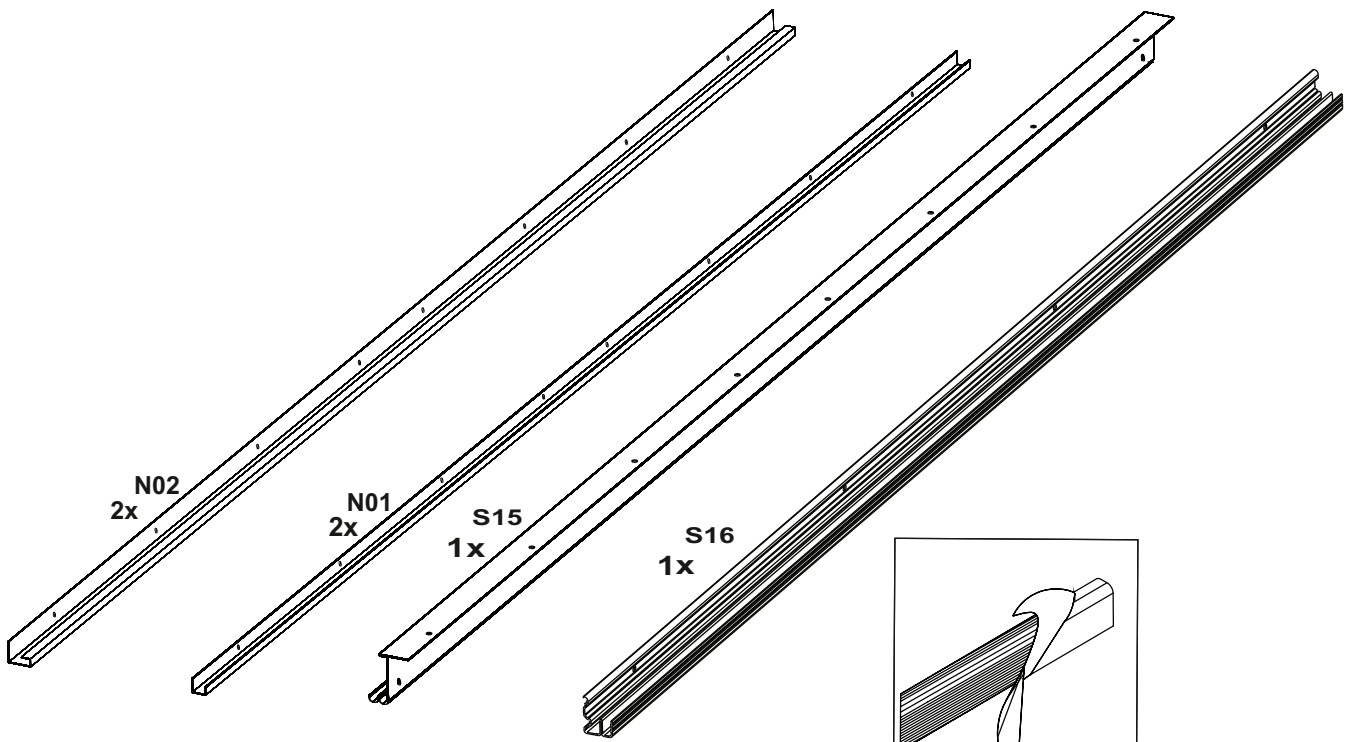


NR	DIM	QTE	COLLI
1	1950x324x15	1	1/2
2	1950x353x15	1	1/2
3	1220x305x15	1	1/2
4	1220x321x15	1	1/2
5	1877x265x15	1	1/2
6	602,5x260x15	2	1/2
7	1220x42x15	1	1/2
8	1220x42x15	1	1/2
9	1896x619x2	2	1/2
10	640x962,5x15	1	2/2
11	640x962,5x15	1	2/2
12	640x962,5x15	1	2/2
13	640x962,5x15	1	2/2
14	602x260x15	4	1/2
N02	L-1925	2	1/2
N01	L-1925	2	1/2
S15	L-1218	1	1/2
S16	L-1218	1	1/2

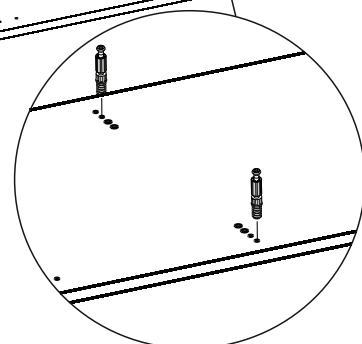
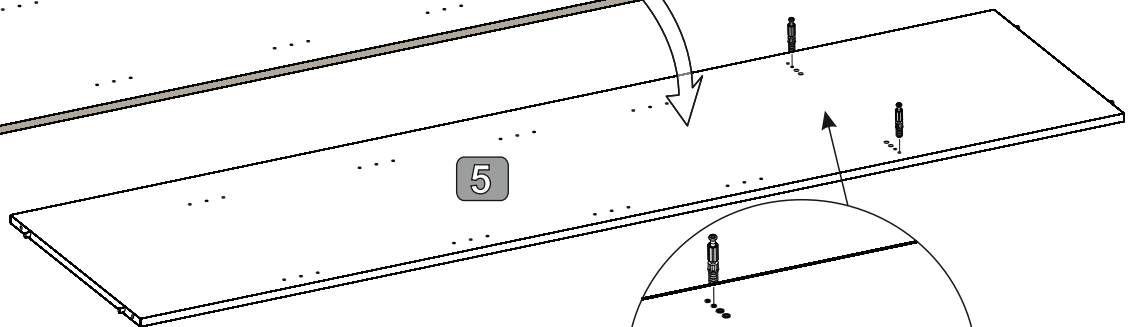
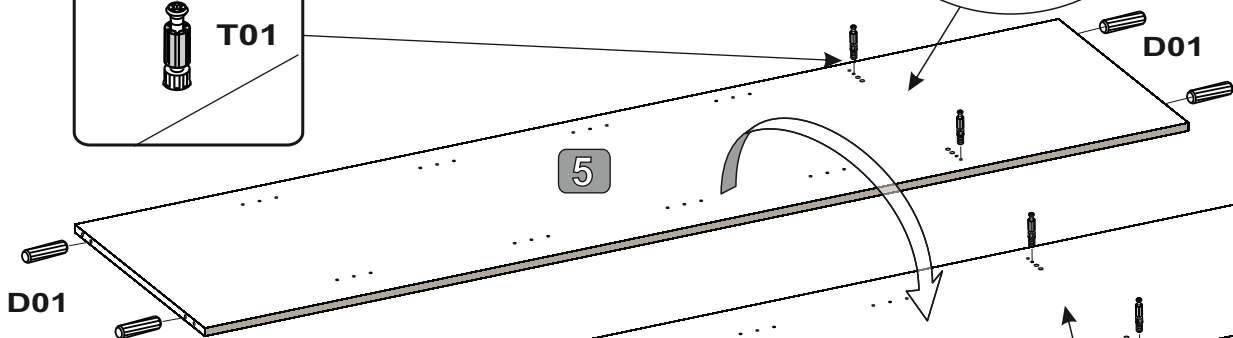
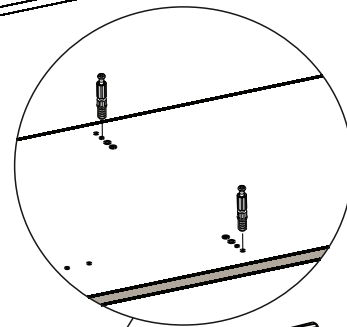
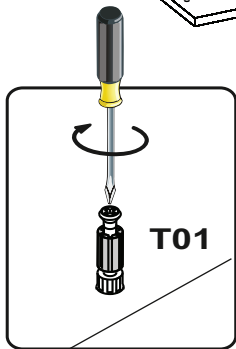
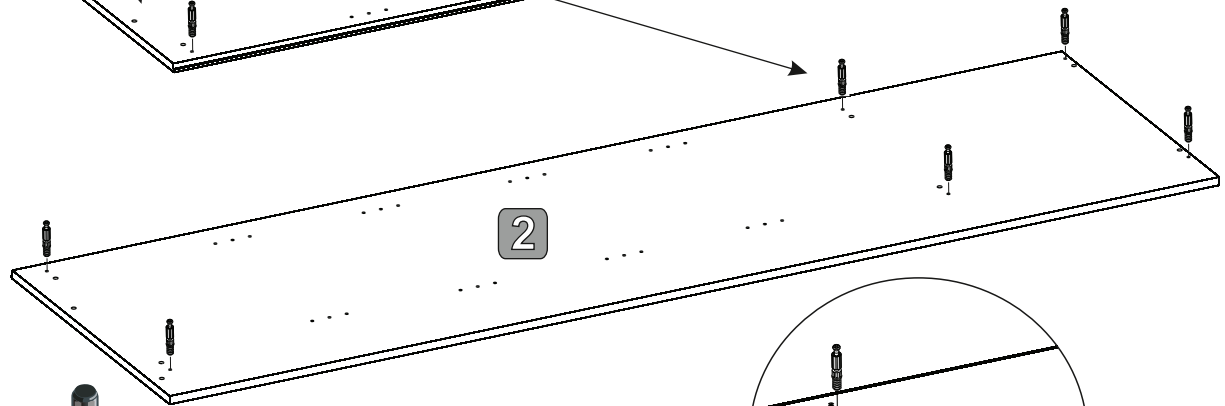
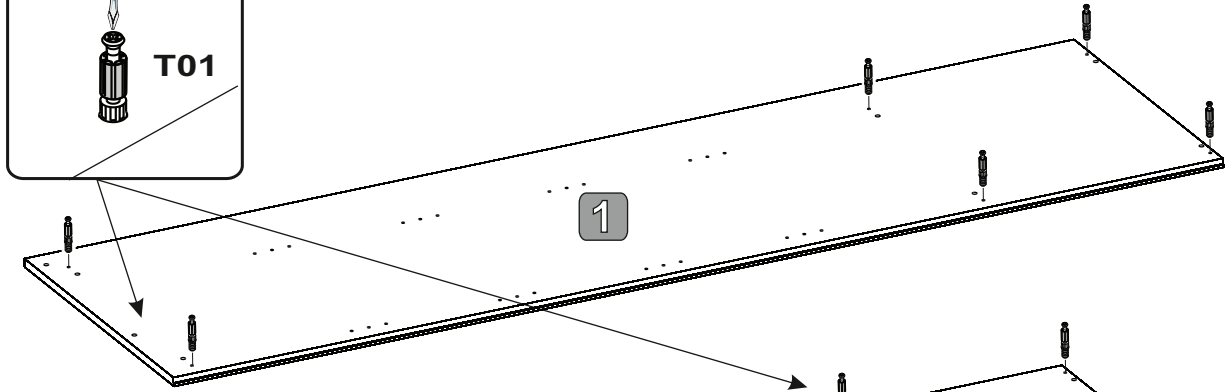
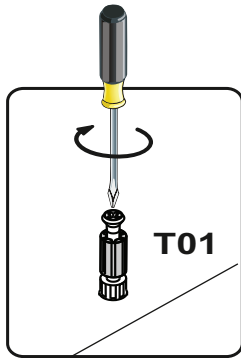
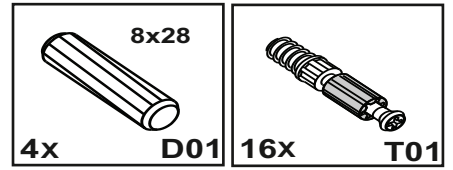


 16x T02	 16x T01	 60x G01	 8x28 26x D01	 1x K01	 7x50 4x W06
 4x W08	 3x13 5x W02	 16x E01	 6x S01	 4x13 2x W07	 4x R01
 1x Q01	 3,5x13 9x W05	 3,5x13 81x W01	 2x P01	 2x S14	 2x S13
 2x W05S	 2x E05	 1x S10	 1x S11	 2x S12	 3,5x25 4x W36

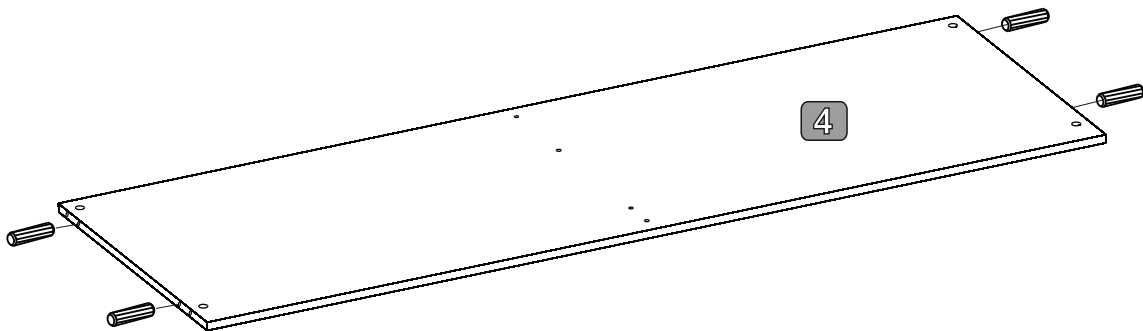
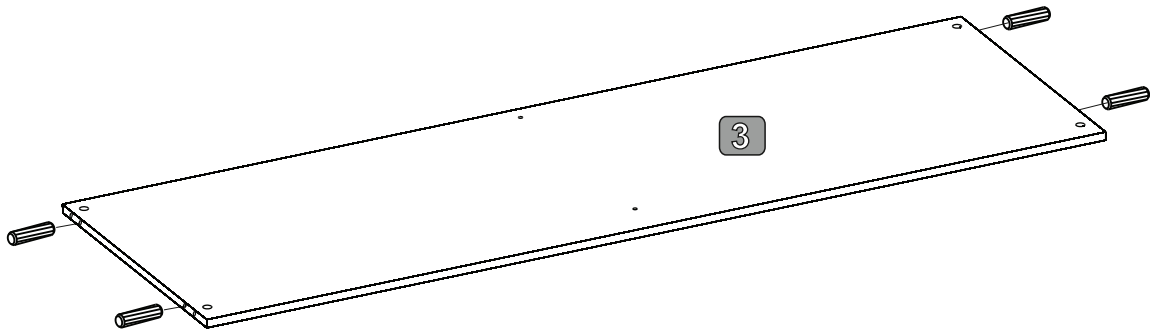
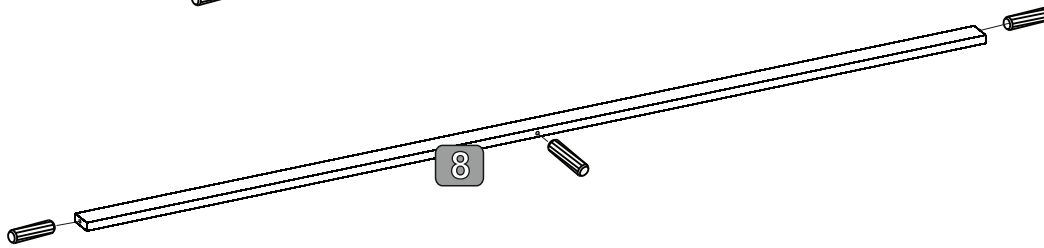
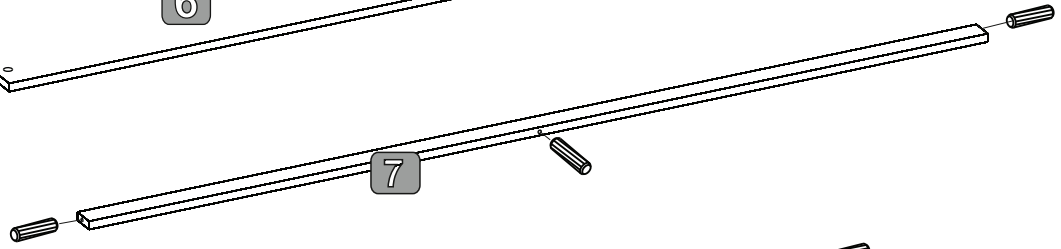
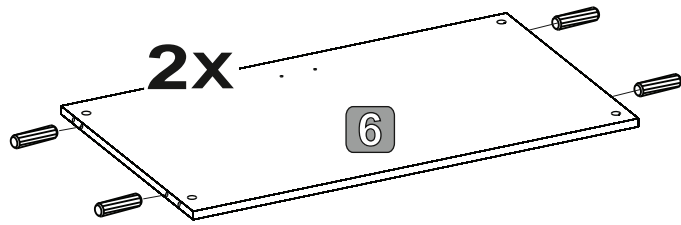
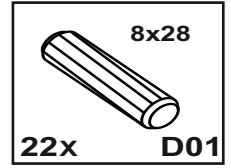


N02
N01

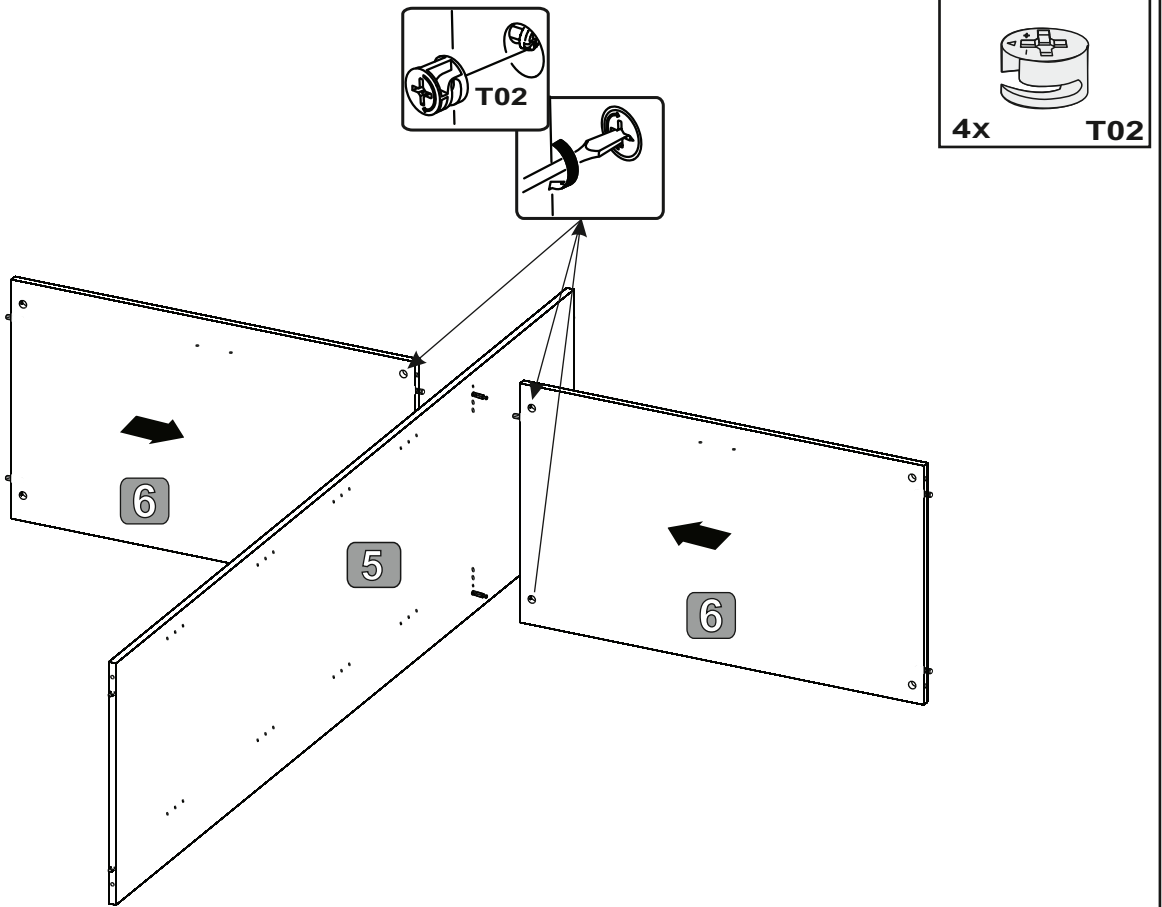
1



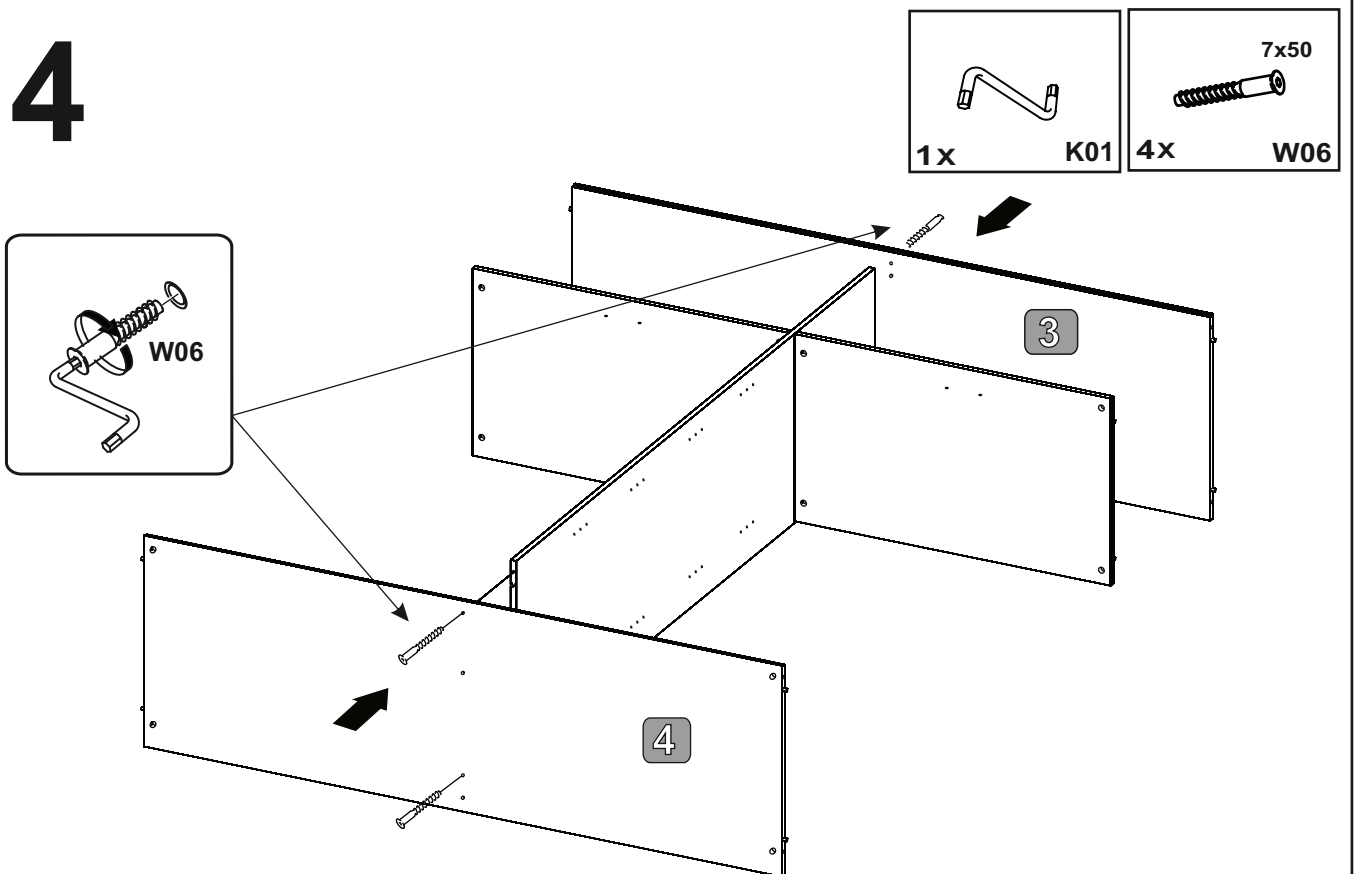
2



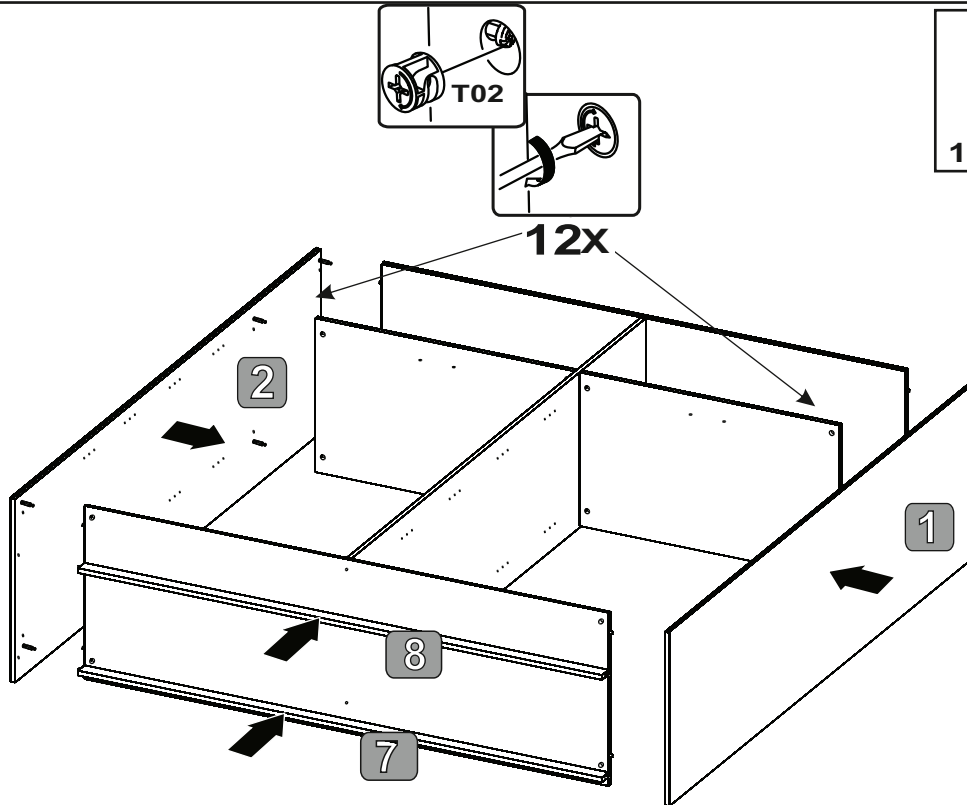
3



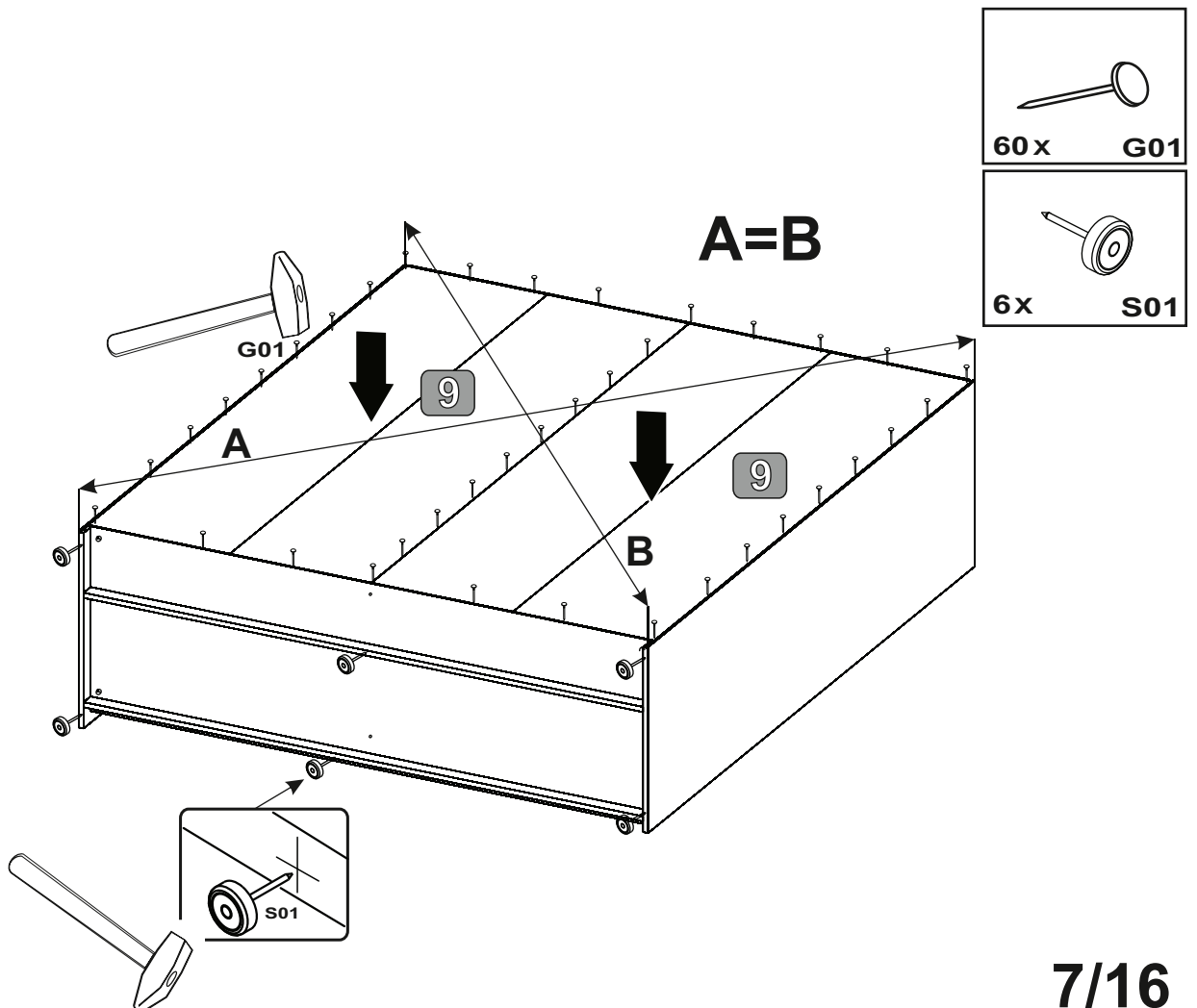
4



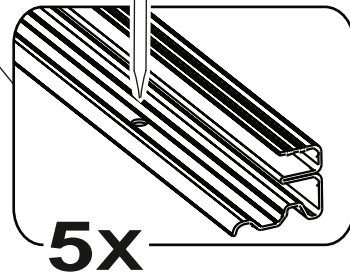
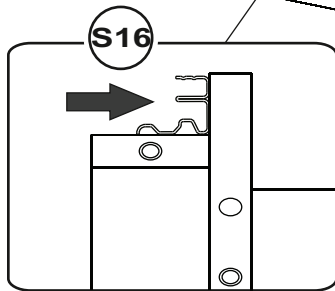
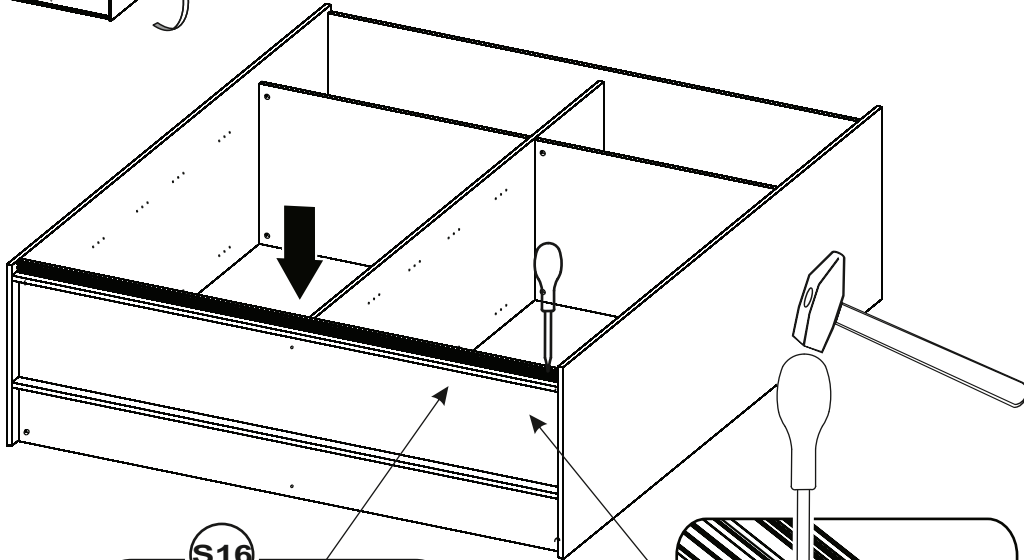
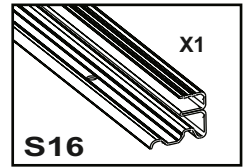
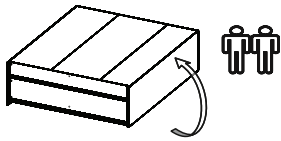
5



6

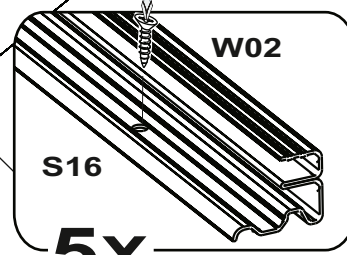
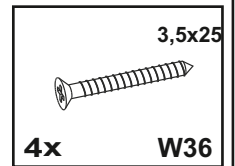
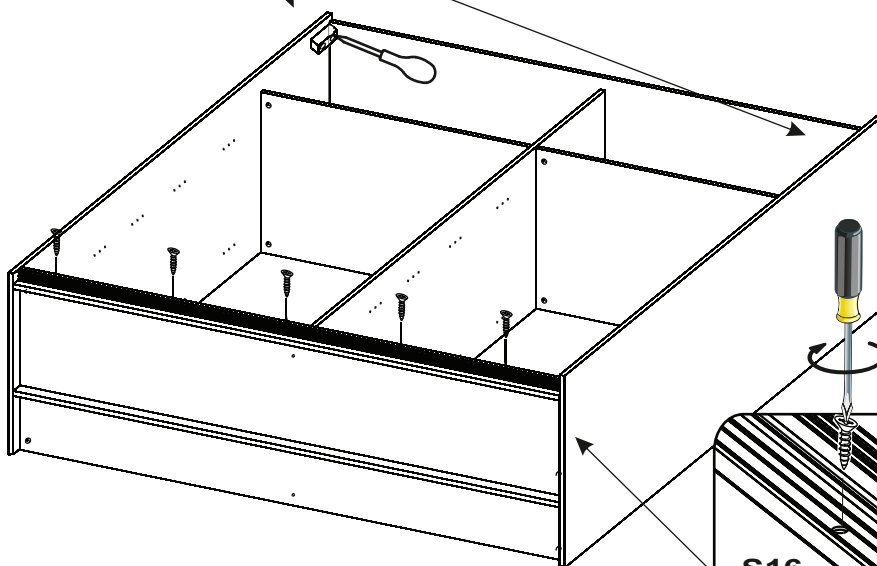
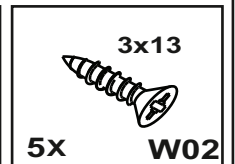
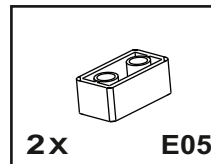
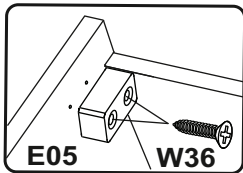


7



5x

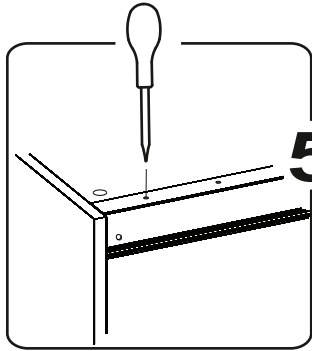
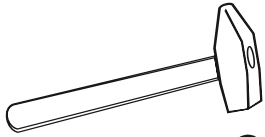
8



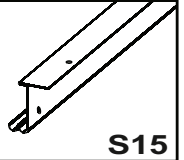
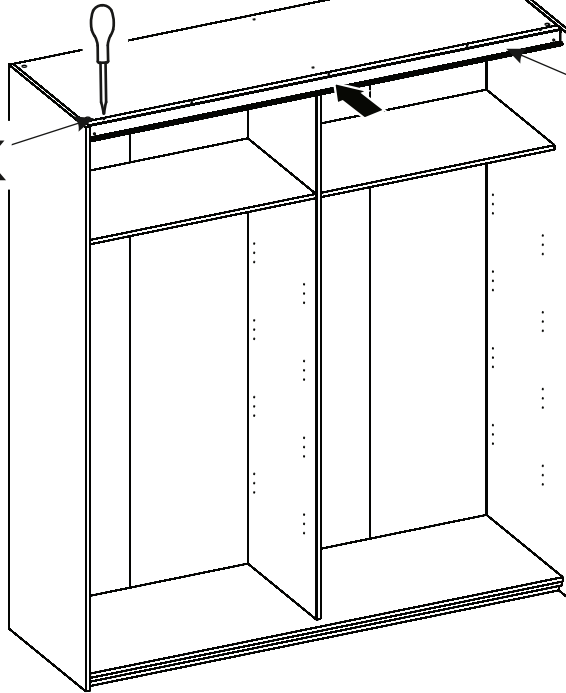
5x

8/16

9



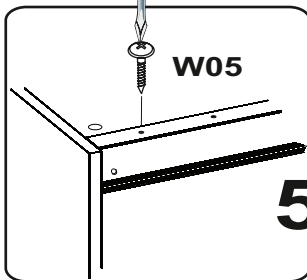
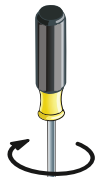
5x



S15

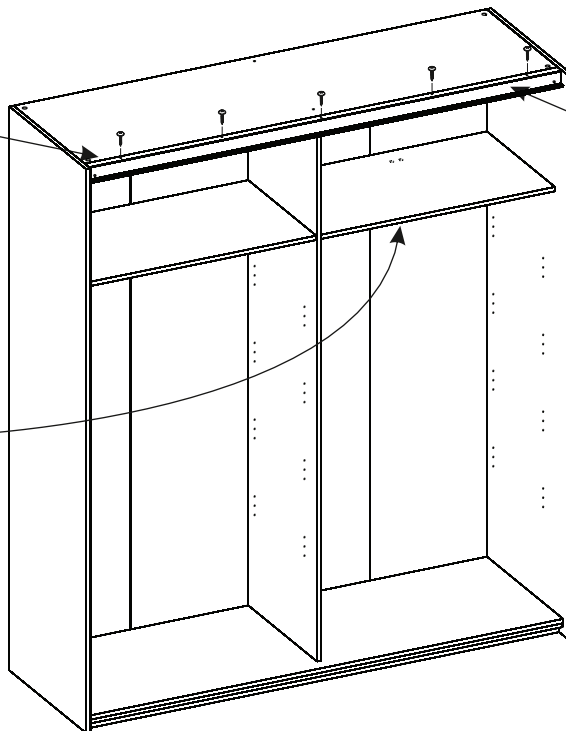
S15

10

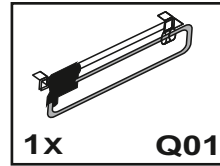


W05

5x



S15



1x

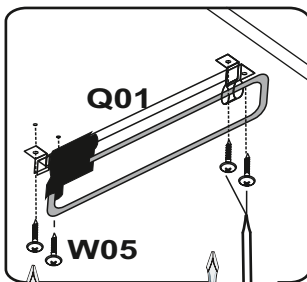
Q01

3,5x13



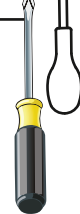
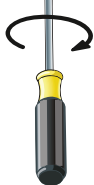
9x

W05





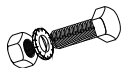



Q01

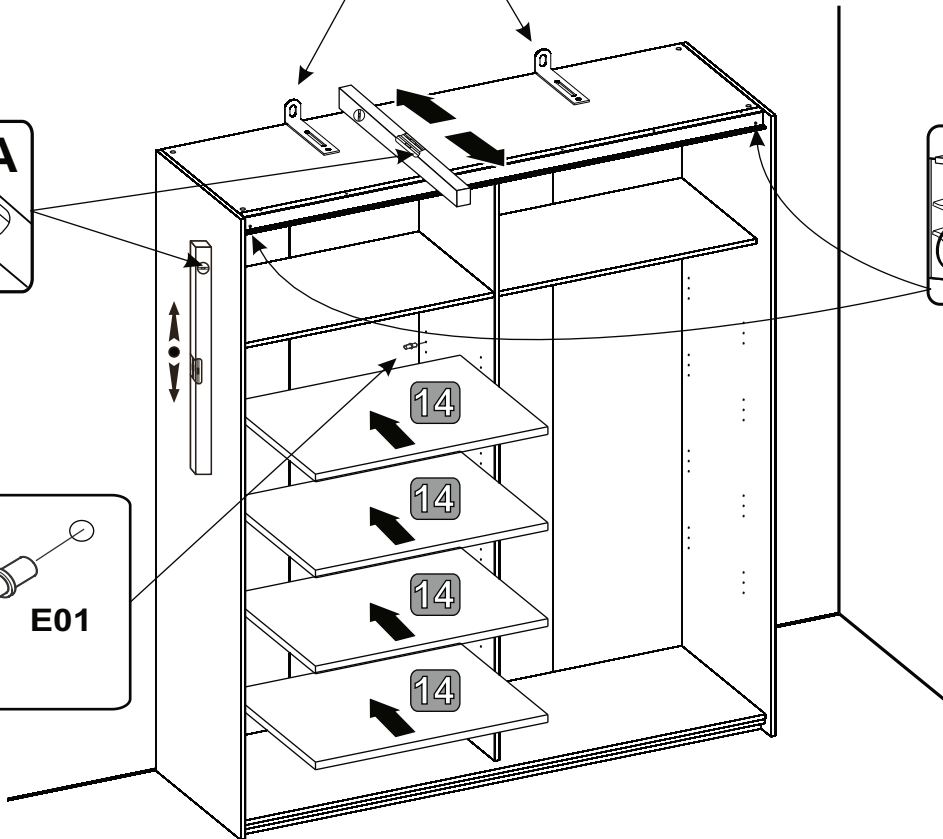
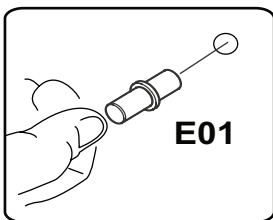
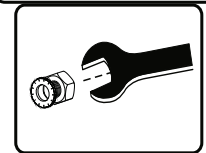
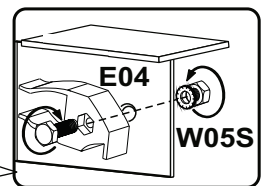
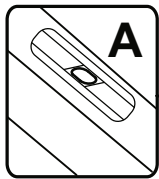
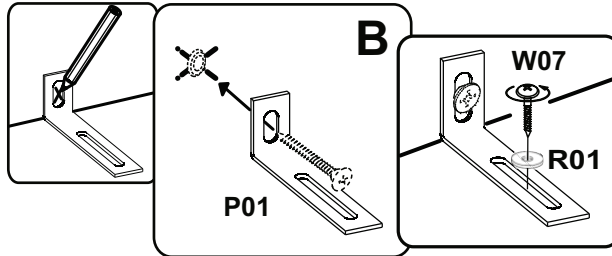
W05



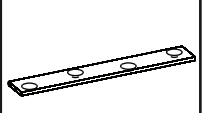
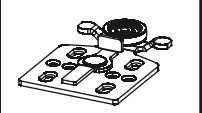
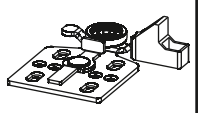

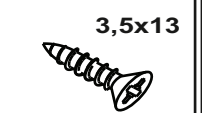
11

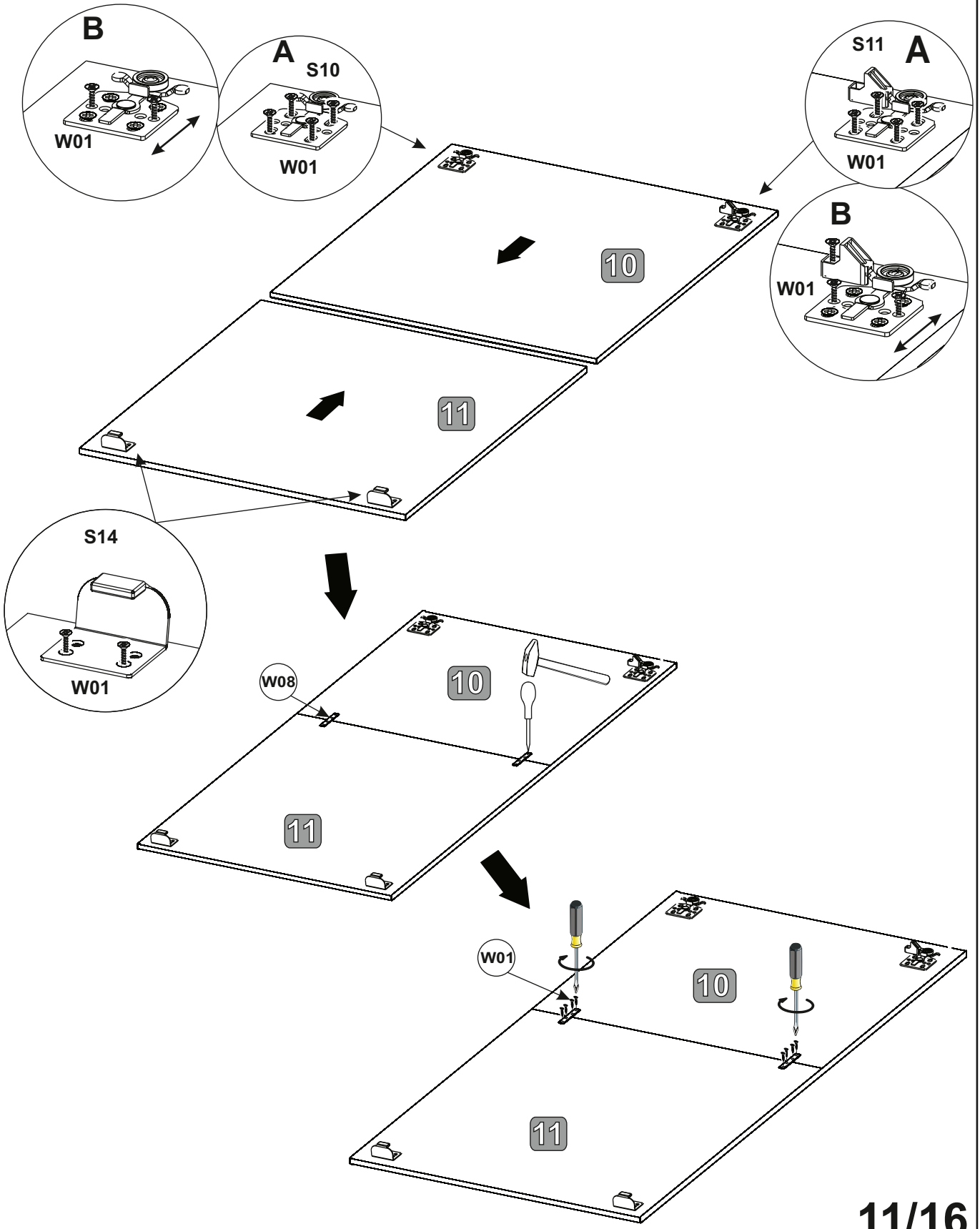
 2 X P01	 4x13 2 X W07	 16 X E01	 2 X E04	 2 X W05S
--	--	---	--	---

 4 X R01
--

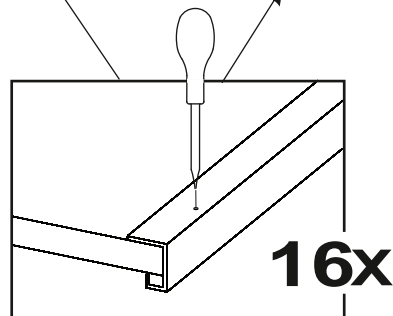
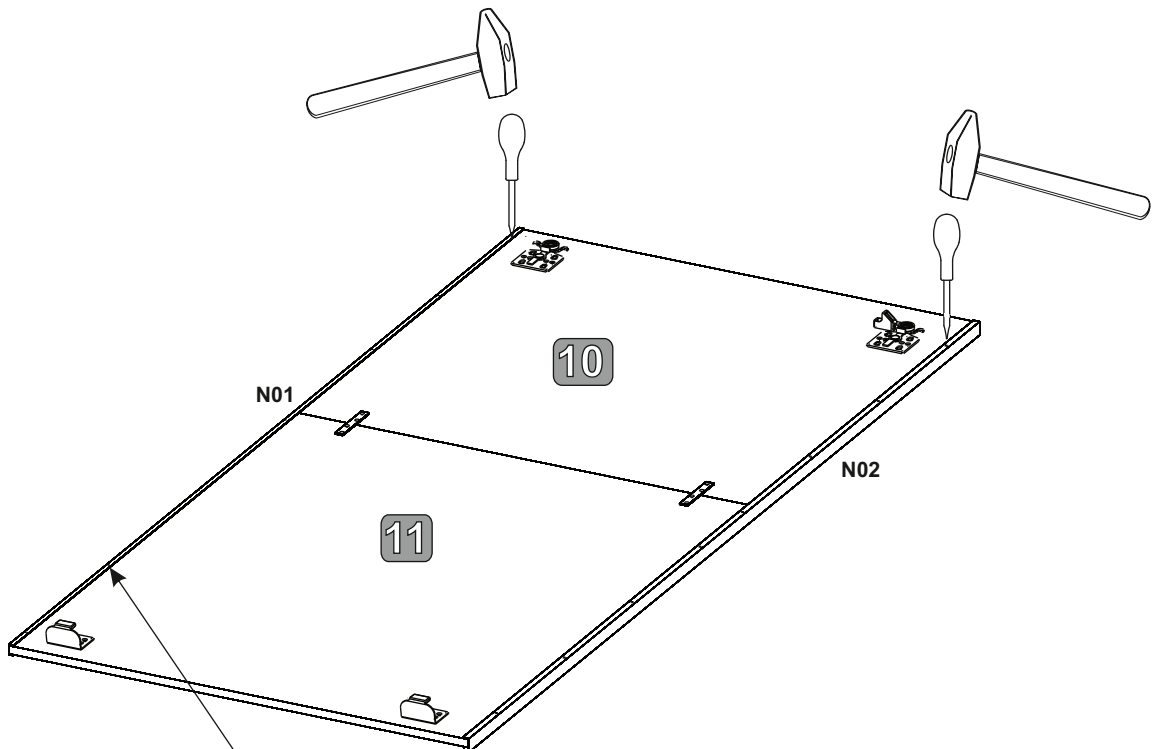
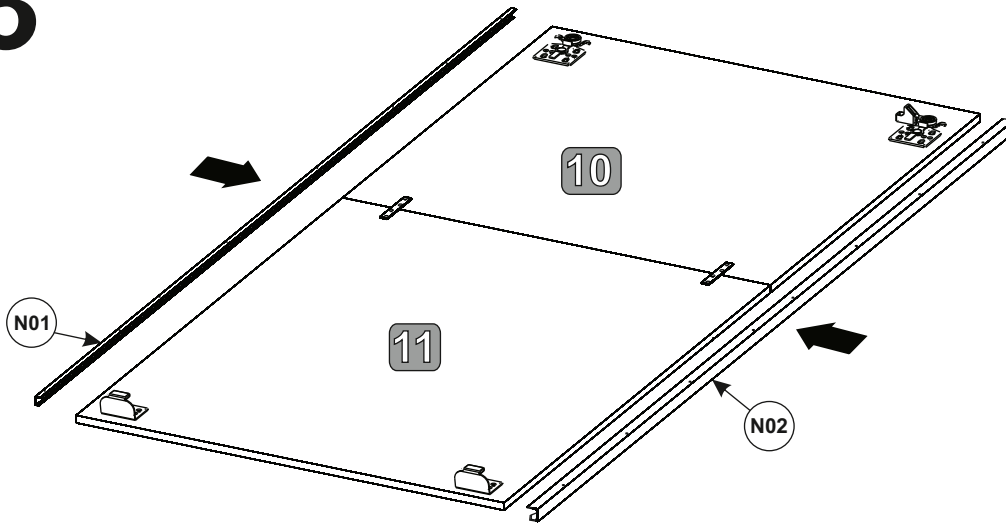


12

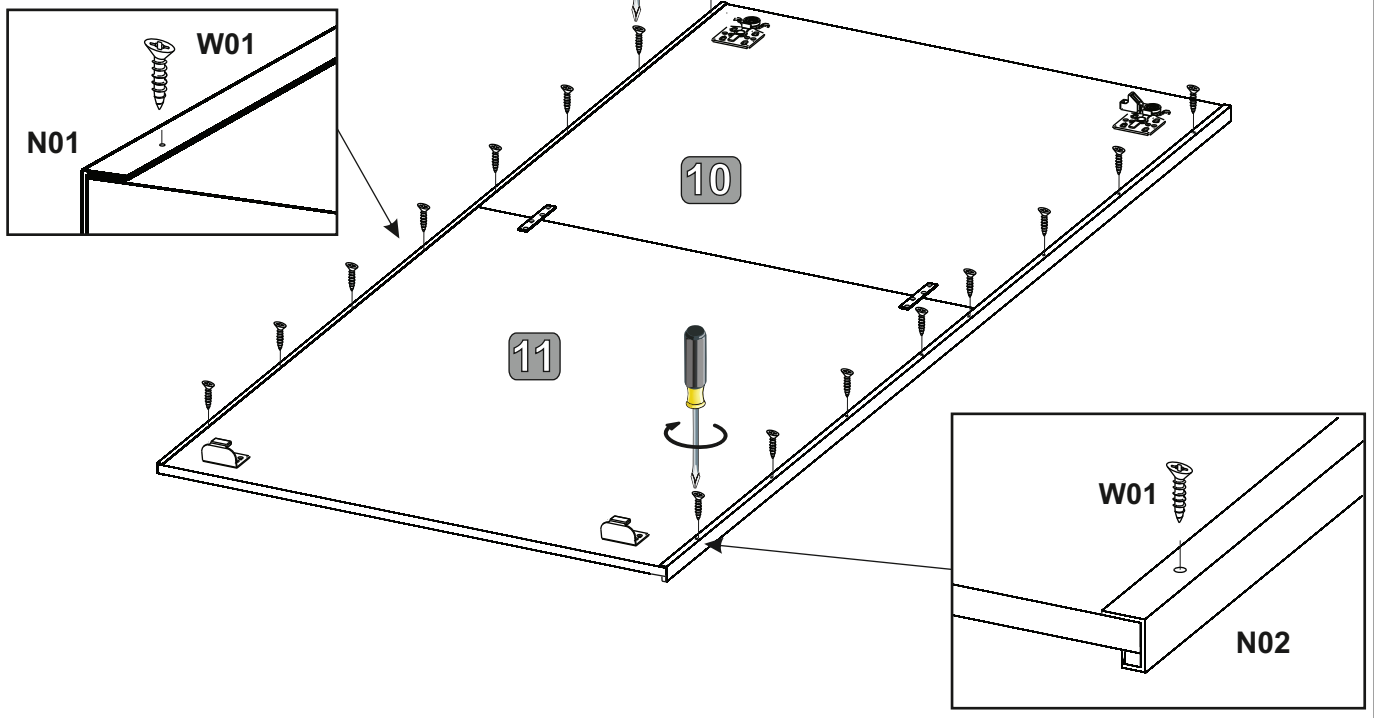
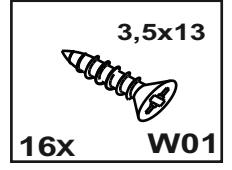
 2X W08	 1X S10	 1X S11	 2X S14	 25X W01
---	---	--	---	--



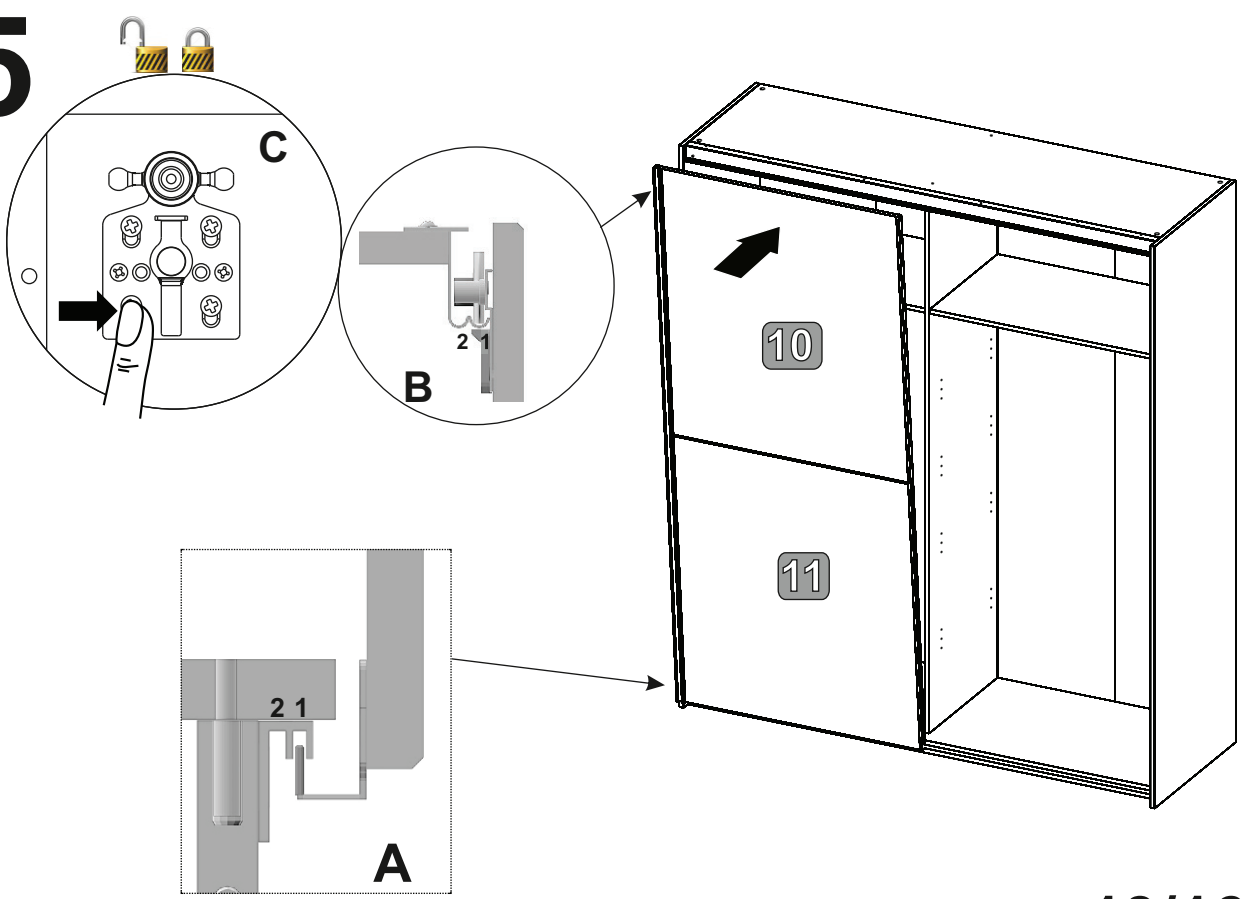
13



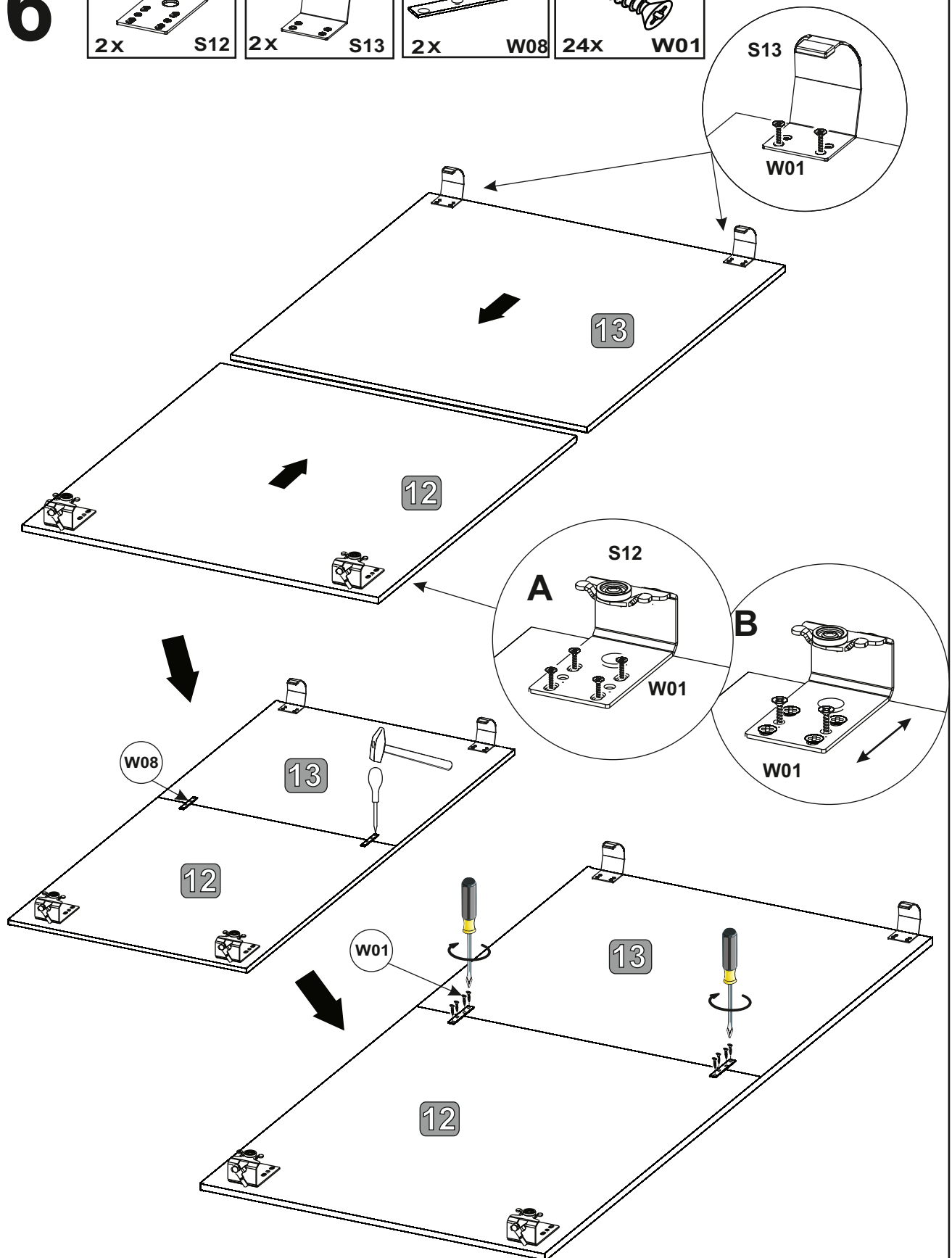
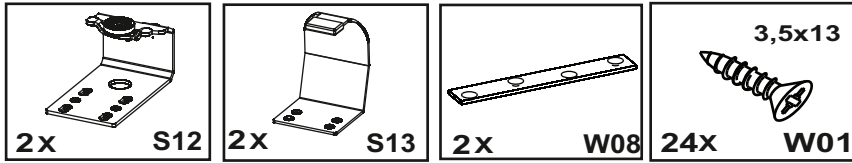
14



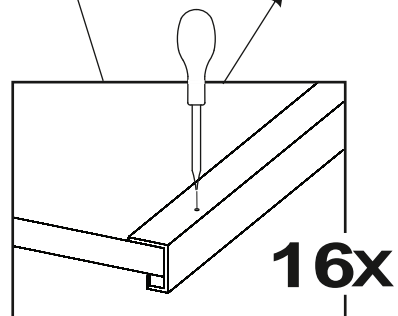
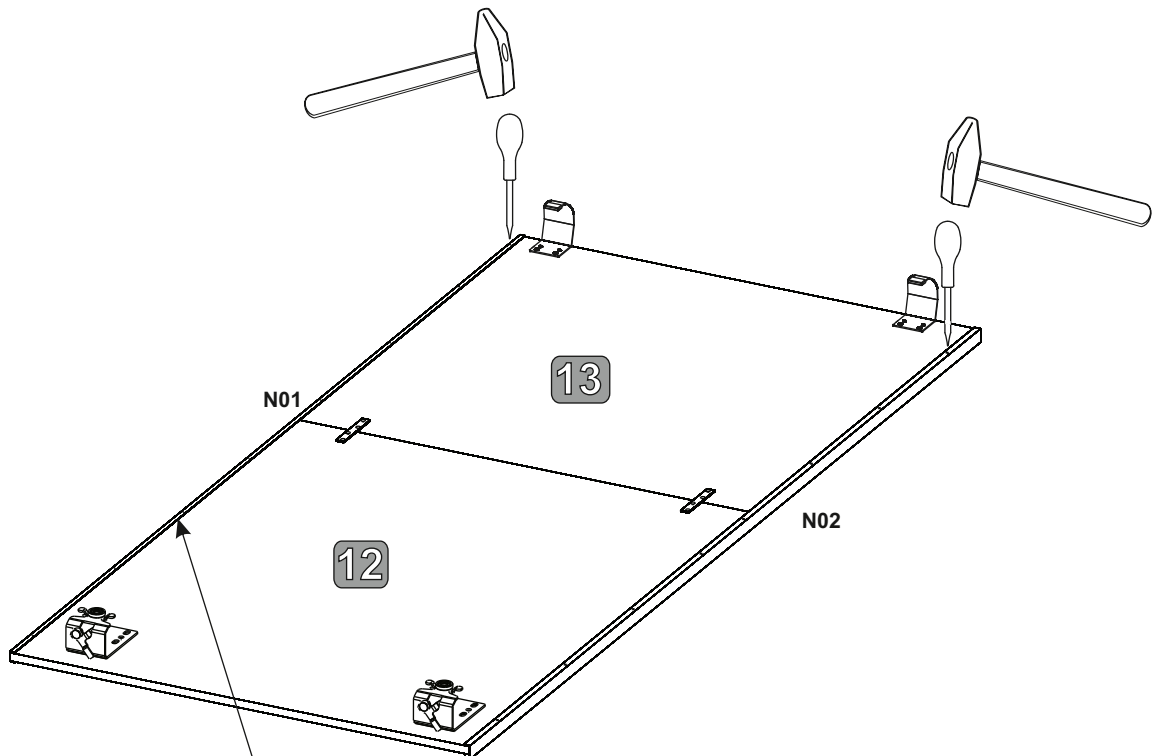
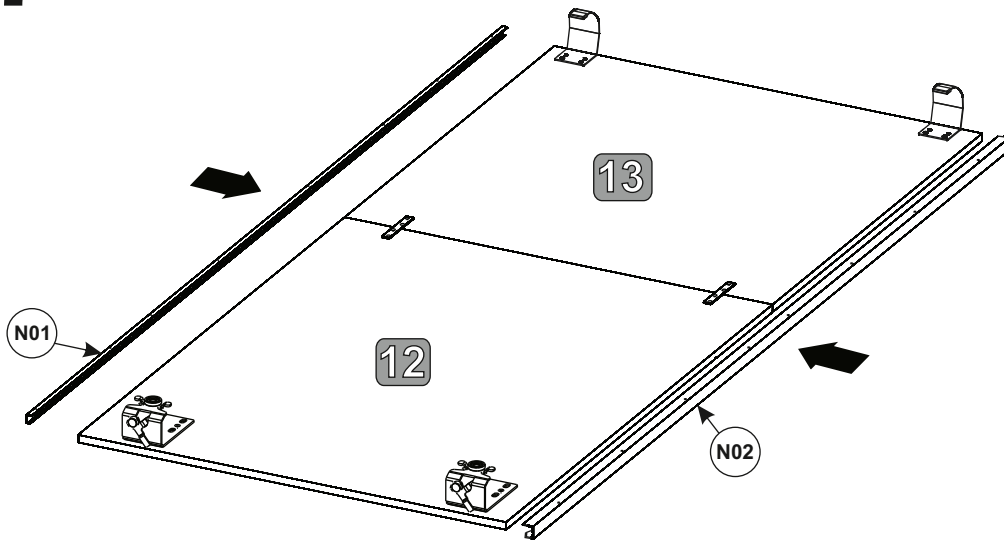
15



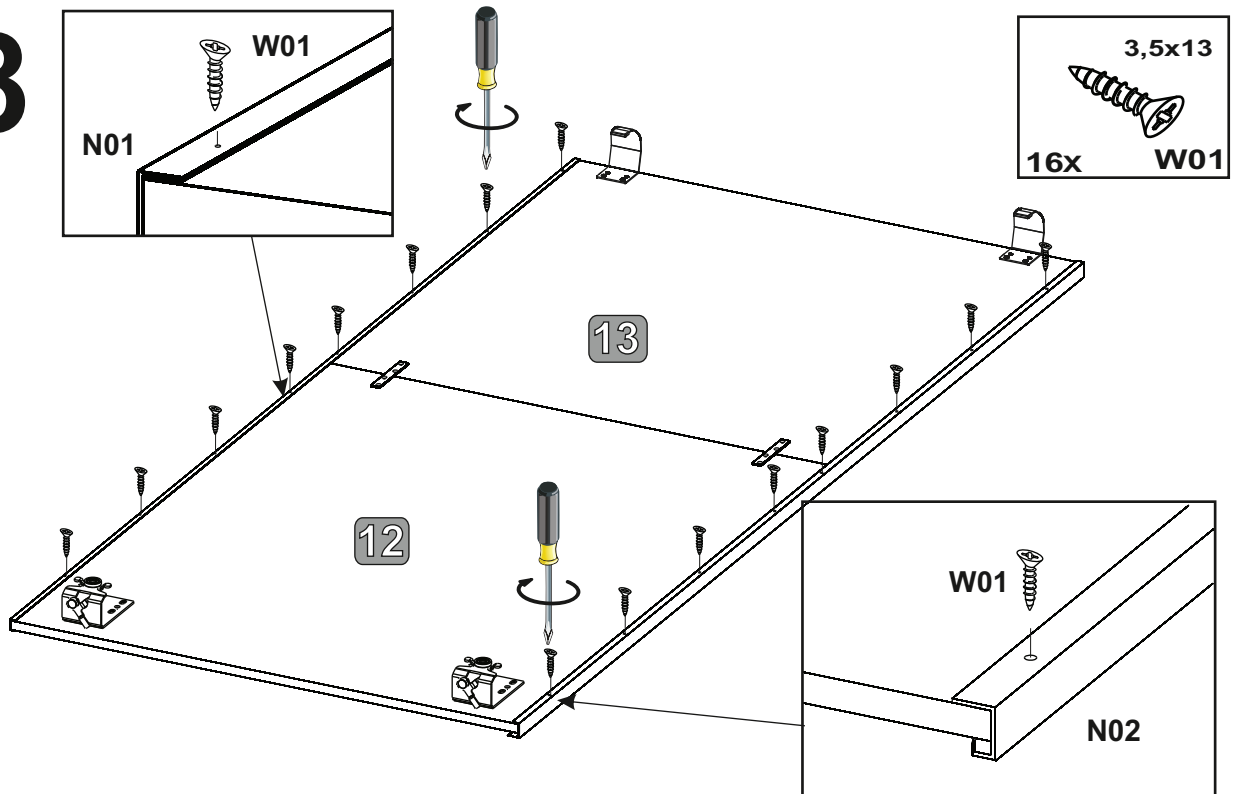
16



17



18



19

